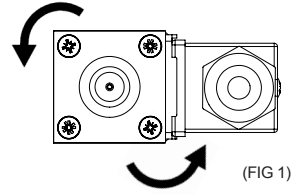


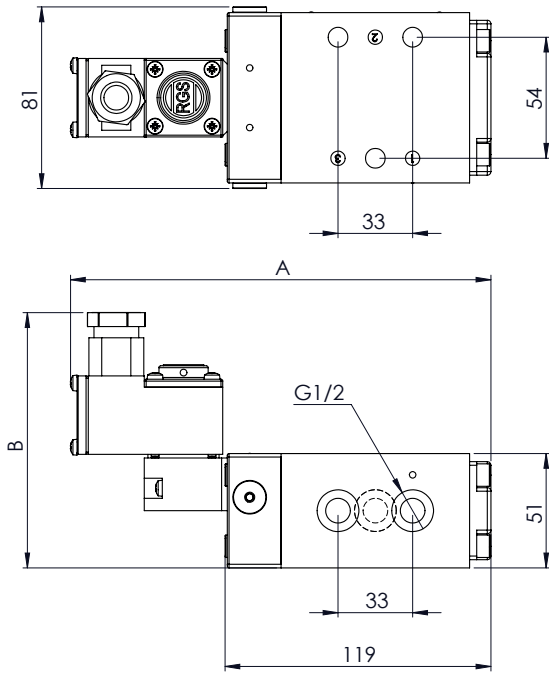


## COIL ORIENTATION

The coil itself can be rotated in 90° steps by releasing the four securing screws. (FIG 1) When rotating the coil care should be taken to ensure the core assembly (core, spring, seal and washer) remains intact and aligned correctly. This is easily achieved by only lifting the coil the small amount required to clear the screws enabling the coil to be rotated.



### 016216PP



COIL TYPE	A	B
Plug & Socket	190	105
MC30 Coil	182	100
Terminal Box	187	114
ExnA Stainless Steel Housing	203	126
Exd	203	126
Exia	155	120

### 07563(8,9)&7216

#### STANDARD

Body And End Caps	Black Anodised Aluminium (Dural)
Spool	Hard Anodised Aluminium PTFE Impregnated
Jet	Brass
Spacers	Glass Filled Acetal
Seals	Nitrile
Spring	Music Wire

### 9063(8,9)&7216

#### STANDARD

Inlet Port Connection Size	1/2" BSP
Working Pressure Internal Pilot Version	3 to 10 bar
Working Pressure External Pilot Version	3 to 10 bar
Minimum External Pilot Pressure	3 bar
Cv Factor	3.5
Flow Rate (at 6 bar with 1 bar pressure drop)	3534 l/min
Maximum Ambient Temperature	+80 °C
Minimum Working Temperature	-20 °C

### &2(7,6)

&RLOZSH	3OXJ6RFNHW	7HUPLQDO%R□	(Q□	(G	(□ e b	
Area Class	Safe	Safe	Zone 2	Zones 1 & 2	Zones 1 & 2	Zone 0, 1 & 2
Area Category	N/A	N/A	ExN II T4-T6	Exd IIC T3-T6	Ex e mb IIC T4	Exia IIC T6
Ingress Protection	IP65	IP65	IP65	IP66	IP66	IP65
Cable Entry	PG.9	M20 x 1.5	M20 x 1.5 or PG.9	M20 x 1.5	M20 x 1.5	M20 x 1.5
Ambient Temperature	-20 to +80 °C	-20 to +80 °C	-20 to +60 °C	-20 to +80 °C	-20 to +65 °C	-20 to +65 °C
Magnetic Wire Class	H	H	H	H	H	H

### 1857+(562(12,237,2169)%(215(48(67