

The world's oldest and largest manufacturer of Teflon® lined valves

No one valve is optimum for all service conditions, which is why we offer many options in design and materials. As a result, you have the freedom to choose the best valve for your application.

Selection, Installation, Operation and Maintenance

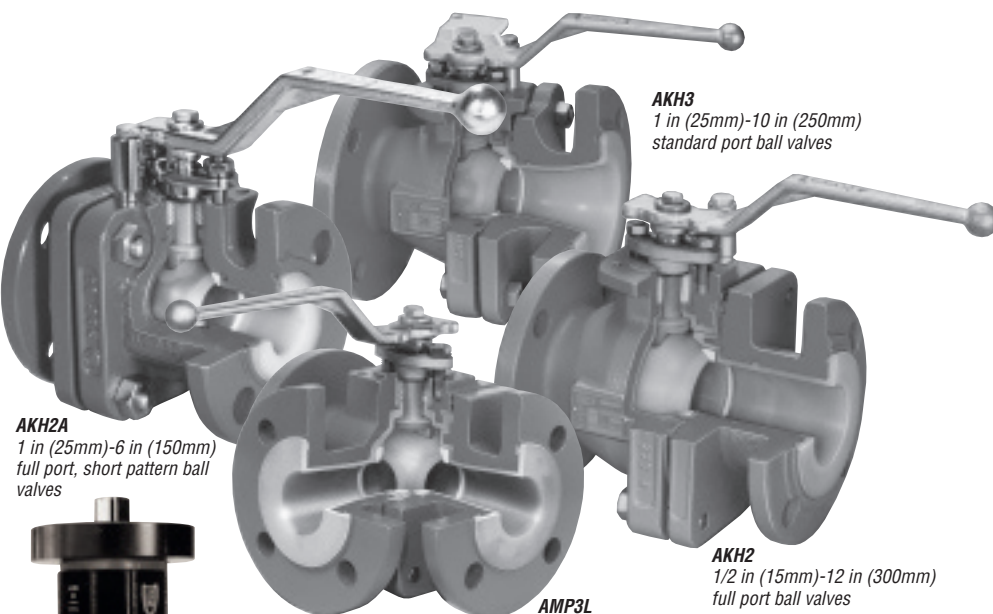
Although Flowserve can, and often does, provide general guidelines, it is obviously not possible to provide application specific data and warnings for all conceivable applications. The purchaser/end user must therefore assume the ultimate responsibility for the proper selection, installation, operation and maintenance of the products. Read the appropriate IOM available from Cookeville, TN 38501 before installing, operating or repairing any valve. The purchaser/end user should train its employees and/or contractors in the safe use of the Flowserve products in connection with the purchaser's manufacturing processes.

Contact your trained Flowserve representative for the technical support to satisfy your valving needs.

Flowserve Corporation
Flow Control Division
Cookeville, Tennessee 38501
(931) 432-4021

Or Consult Your Local Stocking Distributor

Valve & Process Solutions
Units 3 & 4, Foxwood Close, Chesterfield, S41 9RB
+44 (0)1246 220 070
sales@vandpsolutions.com
www.vandpsolutions.com

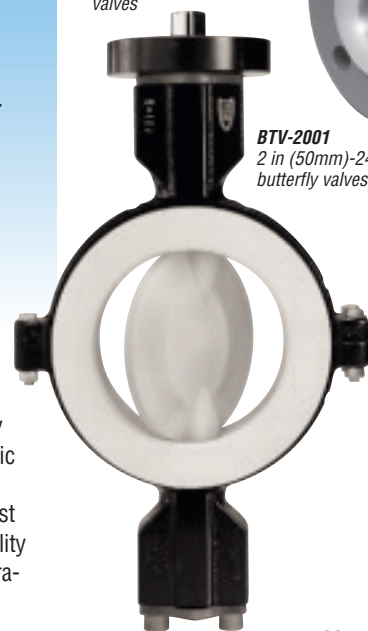


AKH3
1 in (25mm)-10 in (250mm)
standard port ball valves

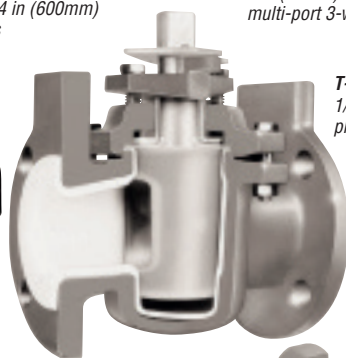
AKH2A
1 in (25mm)-6 in (150mm)
full port, short pattern ball valves

AKH2
1/2 in (15mm)-12 in (300mm)
full port ball valves

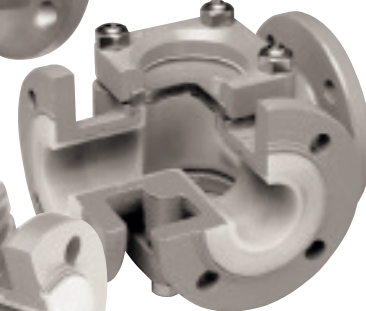
AMP3L
1 in (25mm)-3 in (75mm)
multi-port 3-way valves



BTV-2001
2 in (50mm)-24 in (600mm)
butterfly valves

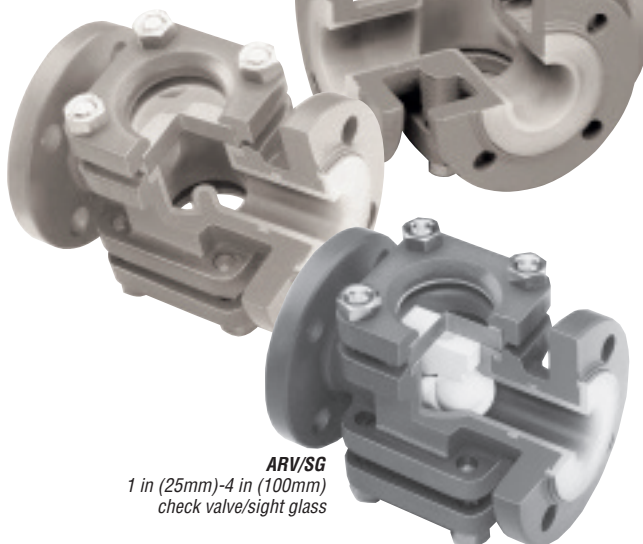


T-41/43
1/2 in (15mm)-12 in (300mm)
plug valves



ASG
1 in (25mm)-4 in (100mm)
3-way sight glass

ASG
1 in (25mm)-4 in (100mm)
sight glass

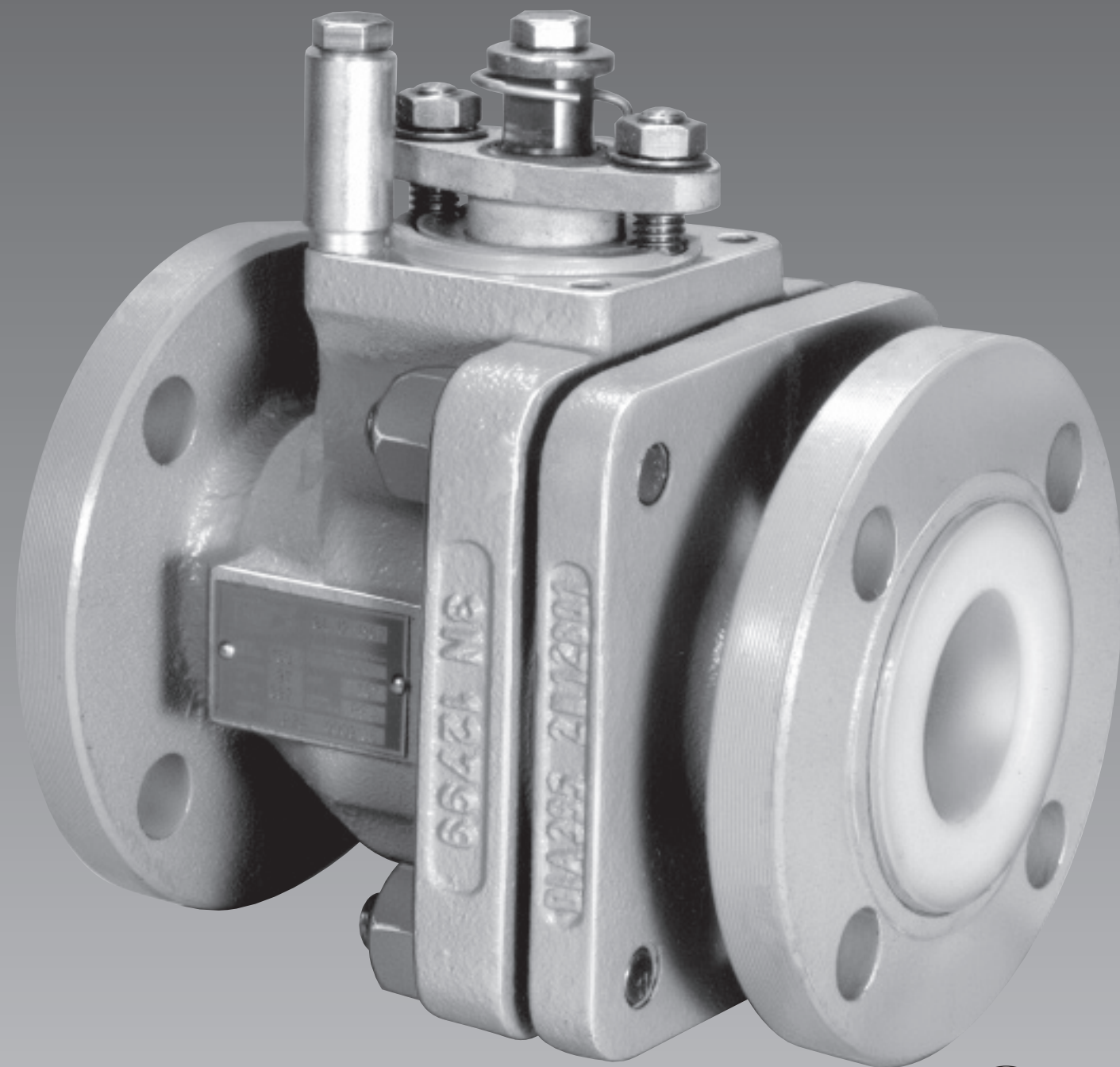


ASF
1 in (25mm)-4 in (100mm)
strainers

ARV/SG
1 in (25mm)-4 in (100mm)
check valve/sight glass

AKH2A

ANSI DIMENSIONAL
FULL PORT VALVES



The World Leader in Fluoropolymer Lined Ball Valves

Maximum Flow In A Full Port ANSI B16.10 Standard Valve

The AKH2A lined ball valve permits maximum flow in the most severe chemical process environments. It includes the features that have made Atomac valves the choice of engineering and maintenance personnel worldwide.

Molding Technology

The proprietary Atomac molding process significantly reduces the inherent stresses in the liner when compared with common molding techniques. This reduction in frozen-in stresses allows Atomac valves to perform in environments which normally crack other lined equipment.

Flanges

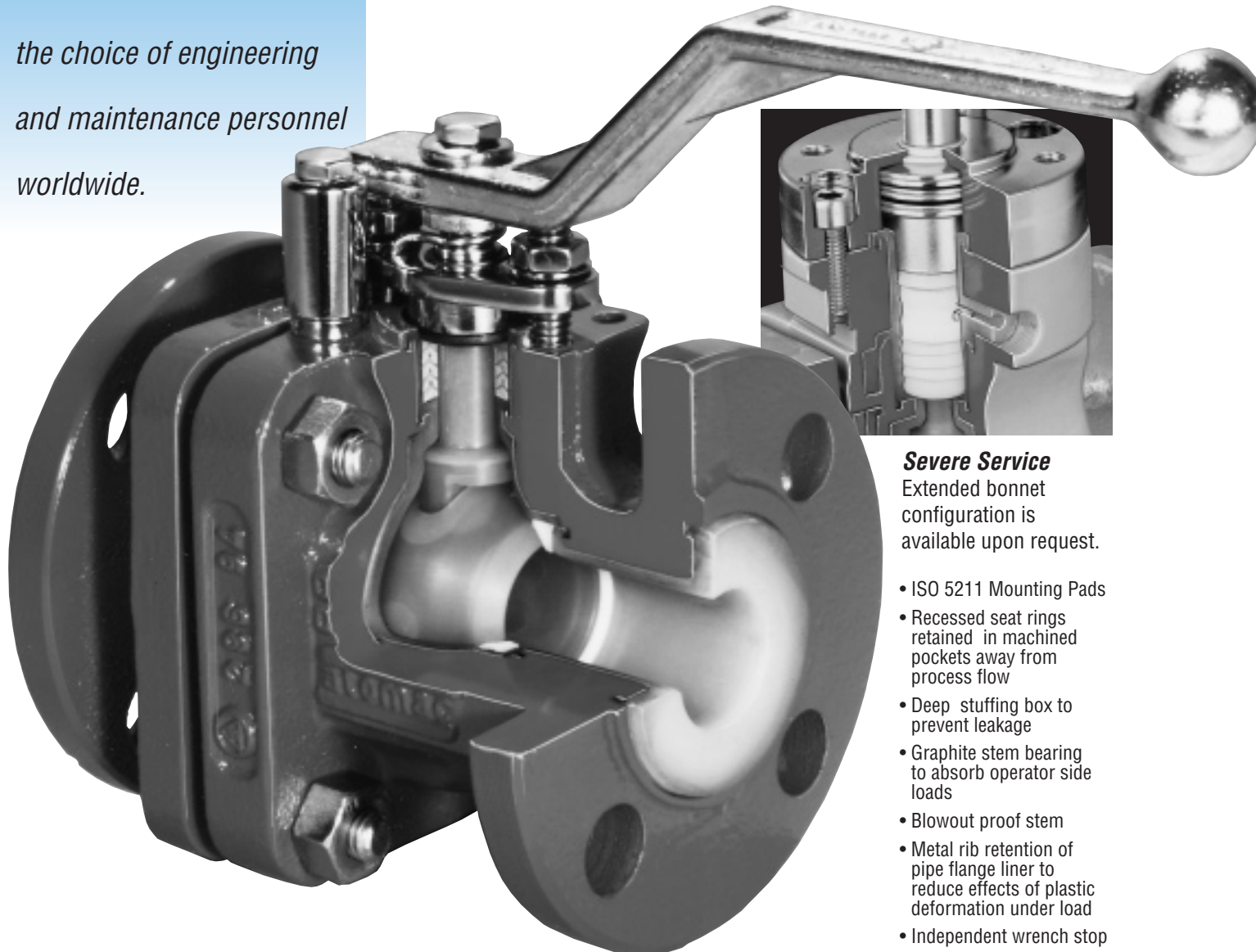
Face-to-face dimensions are ANSI B16.10 short pattern and flange connections are ANSI B16.5 - 150 lbs.

Material Quality

Only the highest molecular weight grades of Teflon® are utilized to maximize liner technology. Lesser grades of PFA or FEP could result in premature lining failure.

Automation

Low turning torque minimizes actuation costs. Atomac valves mounted with Automax® SuperNova™ rack and pinion actuators provide an efficient, compact solution to valve operation needs.



Severe Service

Extended bonnet configuration is available upon request.

- ISO 5211 Mounting Pads
- Recessed seat rings retained in machined pockets away from process flow
- Deep stuffing box to prevent leakage
- Graphite stem bearing to absorb operator side loads
- Blowout proof stem
- Metal rib retention of pipe flange liner to reduce effects of plastic deformation under load
- Independent wrench stop

Available Options

Extended Packing. Fully lined, bolt-on stuffing box with purge connection and live-loading for additional fugitive emission protection.

Locking Devices. For locking valve in either open or closed positions.

Chlorine Service. Specially prepared and trimmed per Durco standard chlorine cleaning procedure.

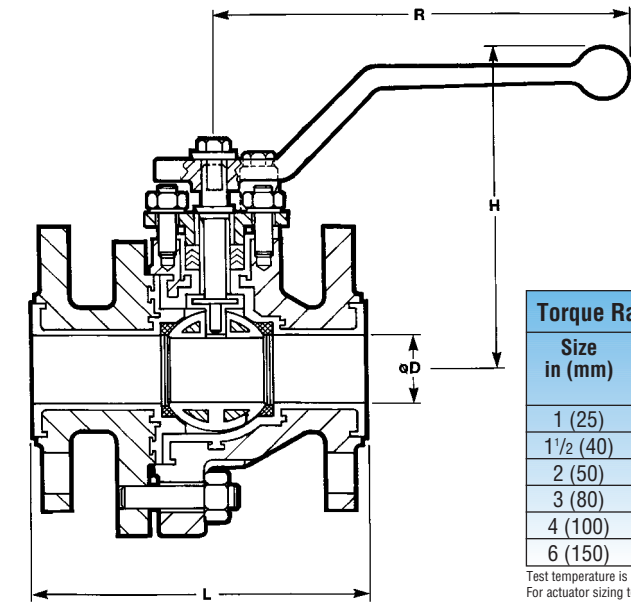
Durlon® Seats. For services which typically blister PTFE, e.g., monomer.

Stem Extensions. Allows for insulation of valve.

Special Note

Durco pursues an aggressive and continuous product development program. As a result, Durco reserves the right to alter specifications without notice.

Technical Data



Torque Ratings		
Size in (mm)	0 psi Δ p (0 bar Δ p) in/lbs (Nm)	150 psi Δ p (10 bar Δ p) in/lbs (Nm)
1 (25)	65 (7.4)	70 (8)
1½ (40)	180 (20)	240 (27)
2 (50)	240 (27)	300 (34)
3 (80)	443 (50)	558 (63)
4 (100)	558 (63)	858 (97)
6 (150)	1416 (160)	2124 (240)

Test temperature is 68°F (20°C). Test medium is water. For actuator sizing torques, refer to the Durco Technical Manual.

Flow Rates	
Size in (mm)	C _v (K _v) Value
1 (25)	40 (34)
1½ (40)	173 (149)
2 (50)	310 (267)
3 (80)	669 (575)
4 (100)	1484 (1276)
6 (150)	3515 (3022)

These are actual C_v values – not C_v factors.

Dimensions/Weights					
Size in (mm)	L in (mm)	H in (mm)	R in (mm)	øD in (mm)	Weight lbs (kg)
1 (25)	5 (127)	4 11/16 (120)	6 5/16 (160)	1 (25)	9.125 (4.125)
1½ (40)	6 1/2 (165)	5 11/16 (145)	8 1/4 (210)	1 1/2 (40)	17.187 (8)
2 (50)	7 (178)	6 5/16 (160)	8 1/4 (210)	2 (50)	25.5 (11.5)
3 (80)	8 (203)	8 1/16 (205)	12 5/16 (313)	3 (80)	56.5 (25.75)
4 (100)	9 (229)	8 7/8 (220)	12 5/16 (313)	4 (100)	81.25 (37)
6 (150)	10 1/2 (267)	11 3/4 (299)	13 1/4 (337)	6 (150)	172 (78)

Pass-through hand lever 26 1/2 in (673mm) is standard. All dimensions are approximate and for illustration purposes only. For exact dimensions request certified dimensional prints.

Material Specification

Item	Qty.	Designation	Title
010	1	body	Ductile Iron A 395, FEP/PFA/PP*
020	1	side piece	Ductile Iron A 395, FEP/PFA/PP*
030	2	seat ring	PTFE
040	1	stem	Stainless Steel A 351 CD-4MCu, PFA
050	1	ball†	Ductile Iron A 395, FEP/PFA/PP*, Also in CD-4MCu**
060	1	gland follower	Stainless Steel A 743 CF 8, PTFE-Graphite
070	1	hand lever	Malleable Iron A 220**, Zamak 3**
080	4-8	stud fastener	A 193 B 7
090	8-16	hexagon nut	A 194 SR2H
100	1	packing	PTFE/PTFE-Graphite*
110	2	hexagon nut	A 194 SR2H
120	2	stud fastener	A 193 B 7
130	1	lock washer	AISI SR
140	1	hexagon fastener	A 193 B 7
150	2	safety washer	SR
170	1	grounding device	Stainless Steel AISI 304
210	1	lever stop	Stainless Steel AISI 304
220	2	hexagon fastener	Stainless Steel A 193 B 8

*Optional **Available in selected sizes †Ceramic ball (AL₂O₃) available through 4 in (100 mm)

Pressure/Temperature Ratings

