

'UE' SERIES BALL VALVE



Ball Valves 10,000 PSI

The 'UE' series is a compact hybrid of the 'A' and 'B' series ball valve range. The 'UE' series has been designed to be lighter and more compact than the 'UB' series range. It is available in a variety of configurations to suit many applications within the instrumentation and general engineering industries. The 'UE' series comes with a stainless steel lever handle or the optional marine coated compact 'T' bar handle as standard. Fully floating ball for first time seal.

DESIGN FEATURES

<ul style="list-style-type: none">• Smooth low torque 90° operation.	<ul style="list-style-type: none">• Temperature range -40°C to 230°C as standard (other temperatures available on request)
<ul style="list-style-type: none">• Two piece design means less leak paths for extra safety.	<ul style="list-style-type: none">• Bi-directional floating ball design to ensure leak-proof shut-off on pressure or vacuum.
<ul style="list-style-type: none">• Value for money economical design.	<ul style="list-style-type: none">• Many options available such as locking devices.
<ul style="list-style-type: none">• Compact overall length, reduced weight.	<ul style="list-style-type: none">• Service repair kits available to extend field life.
<ul style="list-style-type: none">• Choice of trim materials	<ul style="list-style-type: none">• Stainless steel lever handle as standard.
<ul style="list-style-type: none">• Available in BSPP, BSPT, NPT threads or twin ferrule compression ends	<ul style="list-style-type: none">• Full material traceability.
<ul style="list-style-type: none">• Anti-blowout internally loaded stem for extra safety.	<ul style="list-style-type: none">• Materials of construction can be supplied to meet the requirements of NACE MR -0175 latest revision.

IOM REFERENCE:

UE-10-19-BV-10K-LEVER

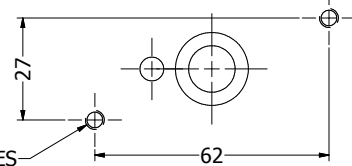
THIS DRAWING IS SUBJECT TO 'COPYRIGHT' IT CANNOT BE COPIED OR REPRODUCED WITHOUT THE WRITTEN AUTHORITY OF THE COMPANY

CONFIDENTIAL

DIMENSIONS SHOWN ARE IN METRIC MM

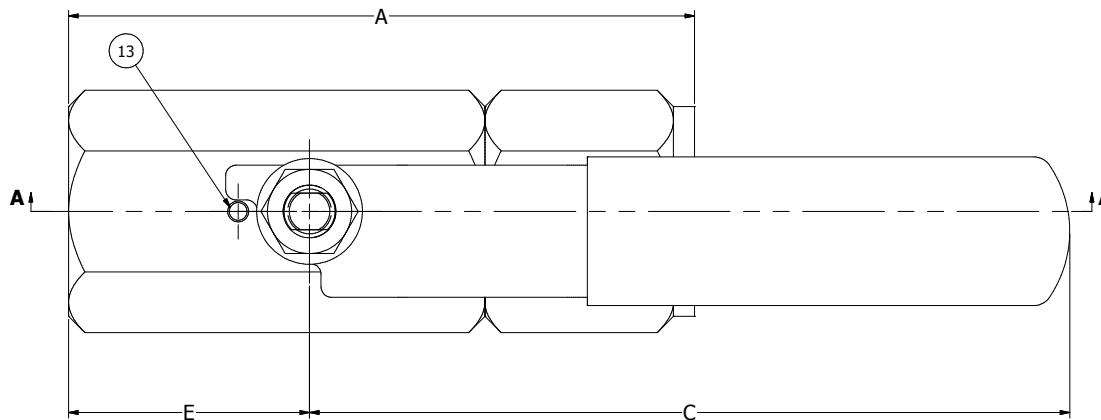
REVISIONS

REV No.	DATE	DETAILS OF CHANGE	REV BY
1	17/03/2015	ISSUED	~ ~

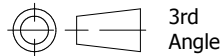
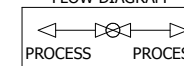
TOP MOUNT DETAILS (1" SIZE ONLY)MOUNTING HOLES
M5x0.8 x 6.0 DP

PART NO	SIZE	A	B	BORE	C	D	E	CV	WEIGHT
UE2NS	1/4" NPT	89	37	9.5	115	32	36	13.9	0.62 Kg
UE3NS	3/8" NPT	92	37	9.5	115	32	36	13.9	0.66 Kg
UE4NS	1/2" NPT	95	37	9.5	115	32	36	13.9	0.64 Kg
UE6NS	3/4" NPT	110	46	12.7	150	38	46	25.3	1.2 Kg
UE8NS	1" NPT	124	80	19.1	167	63.5	51	61.2	3.0 Kg

ITEM	DESCRIPTION	MATERIAL	QTY
1	VALVE BODY	A479 UNS S31600	1
2	SEAT	PEEK HPV	2
3	BALL	A479 UNS S31600	1
4	STEM	A479 UNS S31600	1
5	BODY SEAL	PTFE	1
6	END CONNECTOR	A479 UNS S31600	1
7	LEVER HANDLE	UNS S31600	1
8	BELLEVILLE WASHER	ST/ST	2
9	STEM NUT	A4 ST/ST	1
10	SPACER	UNS S31600	1
11	STEM SEAL	RTFE	1
12	ANTI-EXTRUSION SEAL	PEEK	1
13	STOP PIN	UNS S31600	1



FLOW DIAGRAM

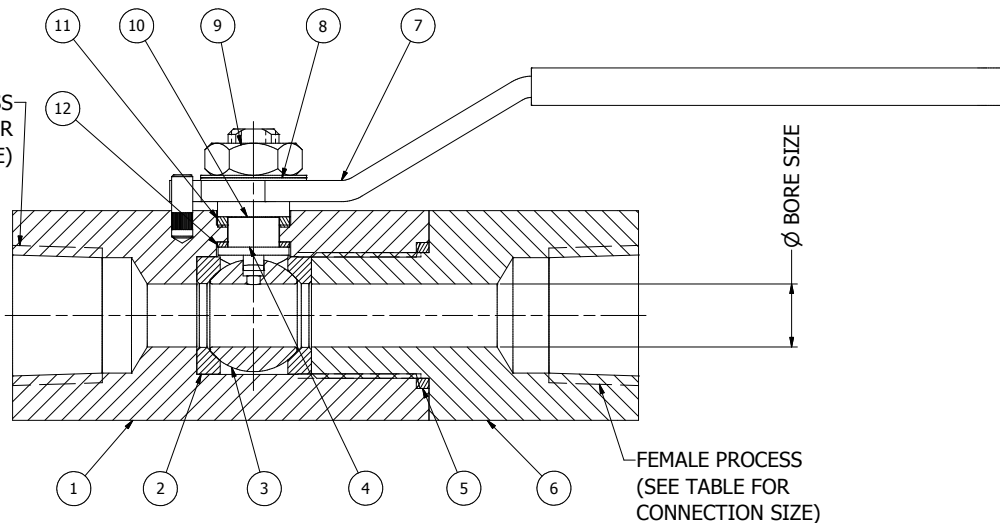
3rd
Angle

IMPORTANT - THIS DOCUMENT MAY CONTAIN CONTROLLED INFORMATION AND COULD THEREFORE REQUIRE EXPORT PERMISSIONS FROM RELEVANT AUTHORITIES IN YOUR COUNTRY

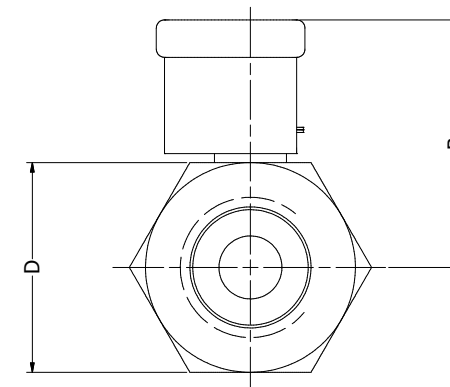
PRESSURE RATINGS ARE COLD WORKING, NON-SHOCK AND SUBJECT TO TEMPERATURE LIMITATIONS, UNLESS OTHERWISE STATED. PLEASE SEE SPECIFIC PRODUCT DATA

DIMENSIONS AND DESIGNS ARE SUBJECT TO CHANGE WITHOUT PRIOR NOTICE

TYPICAL VALVE LAYOUT

FEMALE PROCESS
(SEE TABLE FOR CONNECTION SIZE)

SECTION A-A

FEMALE PROCESS
(SEE TABLE FOR CONNECTION SIZE)**Alco Valves**®

Industrial Valve Manufacturers
Mission Works, Birds Royd Lane, Brighouse
West Yorkshire, HD6 1LQ - UK
Tel: 01484 710511 Fax: 01484 713009 Intl: +44 1484 710511
Website: www.alco-valves.com e-mail: uk@alco-valves.com

TITLE:

1/4" TO 1" NPT FEMALE PROCESS x FEMALE PROCESS
'UE' SERIES SINGLE ISOLATION BALL VALVE IN 316 ST/ST MATERIAL
COMPLETE WITH LEVER HANDLE. RATED 10,000psi.

SCALE: N.T.S.

DATE: 17/03/2015

DRAWING NUMBER
UE#NS TABULATEDDRWN C.L. CHKD
REVISION No. 1

S.R. APRD J.H.