

# 'PB' SERIES BALL VALVE



## Ball Valves 6,000 PSI

The 'PB' series high pressure 3 piece ball valve offers flexibility where, by the end connection sizes and types, can be mixed i.e. PB4NS-12N offers 1/2" to 1/4" reduction in size across the valve. This design helps eliminate the use of fittings and additional unwanted potential leak paths. Rated at 414 bar, the 'PB' series is a reliable, compact and flexible isolation ball valve with many options.

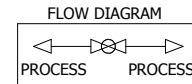
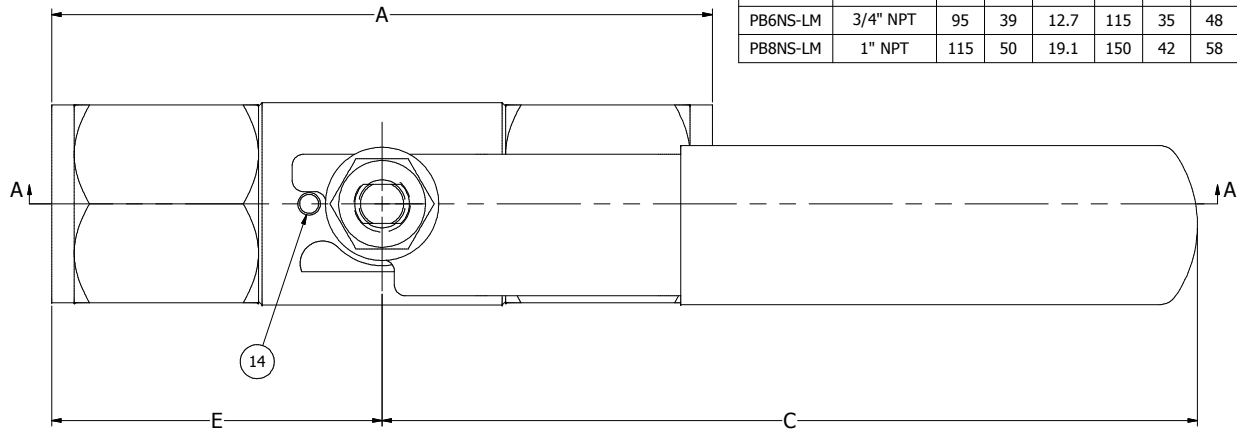
## DESIGN FEATURES

<ul style="list-style-type: none"><li>• Bi-directional floating ball design to ensure leak-proof shut-off on pressure and vacuum.</li></ul>	<ul style="list-style-type: none"><li>• Temperature range -40°C to 150°C as standard (other temperatures available on request)</li></ul>
<ul style="list-style-type: none"><li>• Flexible 3 piece design for easy maintenance.</li></ul>	<ul style="list-style-type: none"><li>• Choice of handles and trim materials.</li></ul>
<ul style="list-style-type: none"><li>• Repair kits available should have the valve need servicing to prolong its life.</li></ul>	<ul style="list-style-type: none"><li>• Handle indicates OPEN/CLOSED position at a glance.</li></ul>
<ul style="list-style-type: none"><li>• Available in 316ss / Monel / Duplex / Titanium / Hastelloy / Zirconium / Ali-Bronze</li></ul>	<ul style="list-style-type: none"><li>• Full material traceability.</li></ul>
<ul style="list-style-type: none"><li>• Anti-blowout internally loaded stem for safety.</li></ul>	<ul style="list-style-type: none"><li>• Materials of construction can be supplied to meet the requirements of NACE MR 0175.</li></ul>

REVISIONS			
REV No.	DATE	DETAILS OF CHANGE	REV BY
1	23/02/2015	ISSUED	~~

PART NO	SIZE	A	B	BORE	C	D	E	CV	WEIGHT
PB2NS-LM	1/4" NPT	68	36	9.5	115	26	34	13.9	0.39 Kg
PB3NS-LM	3/8" NPT	74	36	9.5	115	26	37	13.9	0.4 Kg
PB4NS-LM	1/2" NPT	93	36	9.5	115	28	47	13.9	0.48 Kg
PB6NS-LM	3/4" NPT	95	39	12.7	115	35	48	25.3	0.66 Kg
PB8NS-LM	1" NPT	115	50	19.1	150	42	58	61.2	1.3 Kg

ITEM	DESCRIPTION	MATERIAL	QTY
1	END CONNECTOR	A479 UNS S31600	2
2	BODY SEAL	PTFE	2
3	SEAT	PVDF	2
4	BALL	A479 316 (10mm bore) A351 CF8M	1
5	STEM	A479 UNS S31600	1
6	VALVE BODY	A479 UNS S31600	1
7	O-RING	HNBR 90	2
8	LEVER HANDLE	UNS S31600	1
9	STEM SEAL	RTFE	1
10	STEM SEAL	RTFE	1
11	SPACER	UNS S31600	1
12	BELLEVILLE WASHER	ST/ST	2
13	5/16" UNF HEX NUT	A4 ST/ST	1
14	STOP PIN	UNS S31600	1



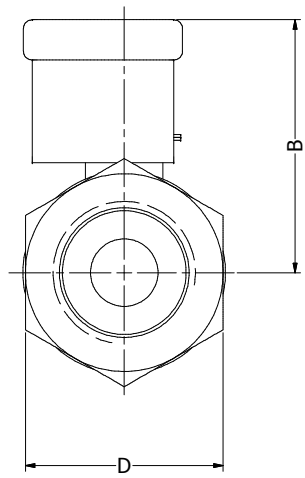
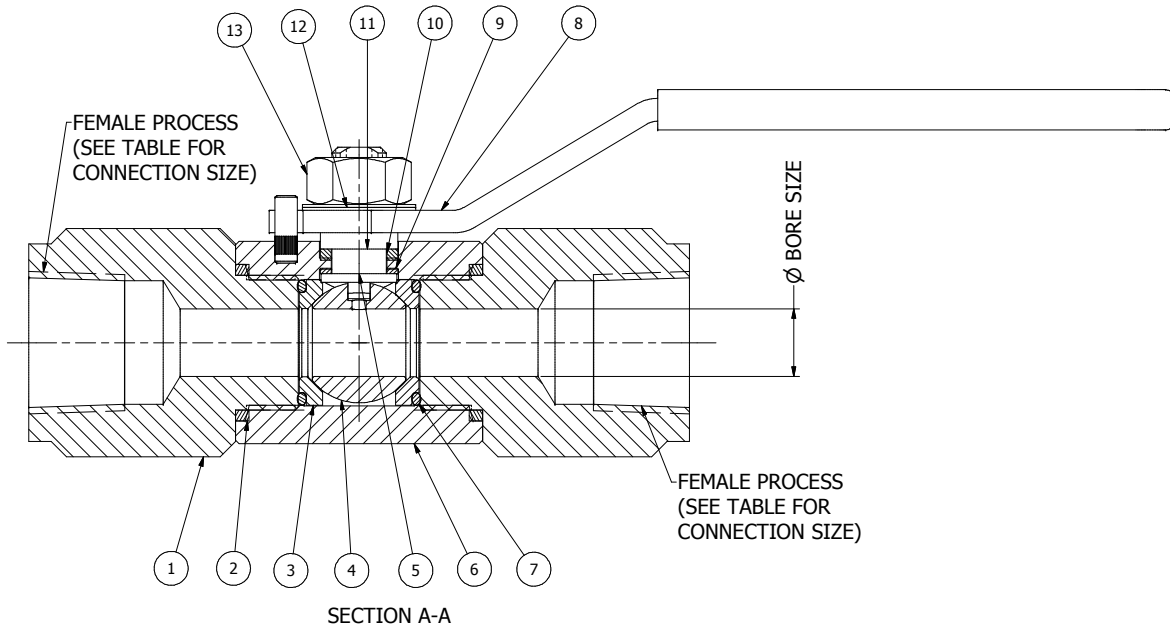
3rd Angle

**IMPORTANT** - THIS DOCUMENT MAY CONTAIN CONTROLLED INFORMATION AND COULD THEREFORE REQUIRE EXPORT PERMISSIONS FROM RELEVANT AUTHORITIES IN YOUR COUNTRY

PRESSURE RATINGS ARE COLD WORKING, NON-SHOCK AND SUBJECT TO TEMPERATURE LIMITATIONS, UNLESS OTHERWISE STATED. PLEASE SEE SPECIFIC PRODUCT DATA

DIMENSIONS AND DESIGNS ARE SUBJECT TO CHANGE WITHOUT PRIOR NOTICE

TYPICAL VALVE LAYOUT



**Alco Valves**®  
 Industrial Valve Manufacturers  
 Mission Works, Birds Royd Lane, Brighouse  
 West Yorkshire, HD6 1LQ - UK  
 Tel: 01484 710511 Fax: 01484 713009 Intl: ++44 1484 710511  
 Website: www.alco-valves.com e-mail: uk@alco-valves.com

TITLE:				SCALE: N.T.S.			
1/4" TO 1" NPT FEMALE INLET x FEMALE OUTLET 'PB' SERIES SINGLE ISOLATION BALL VALVE IN 316 ST/ST MATERIAL COMPLETE WITH LEVER HANDLE. RATED 6,000psi.				DATE: 23/02/2015			
DRAWING NUMBER		DRWN	C.L.	CHKD	I.M.	APRD	A.P.M
PB#NS-LM TABULATED		REVISION No.	1				