

Weatherproof rotary position monitors with the option of high-performance polyamide resin, powder-coated aluminium or stainless steel enclosures they offer a variety of switching options.



Technical Data

Agency approvals

Enclosure standards (IEC)

All enclosures IP66/67

Resin & ABS enclosures (except 8500) IP66/67/68

Switches

3200/3500/8500 Series V3 SPDT mechanical switches
DPDT mechanical switches
Magnum SPDT (hermetically sealed proximity type) switches
V3 inductive proximity sensors

3500/8500 only Pneumatic 3/2 operation

1100 Series Mechanical switches, SPDT contacts

Enclosures

3200/3500/8500 Series Engineered resin

3200/3500/8500 Series Aluminium

3200/3500/8500 Series Stainless steel

1100 Series Engineered ABS resin

Features

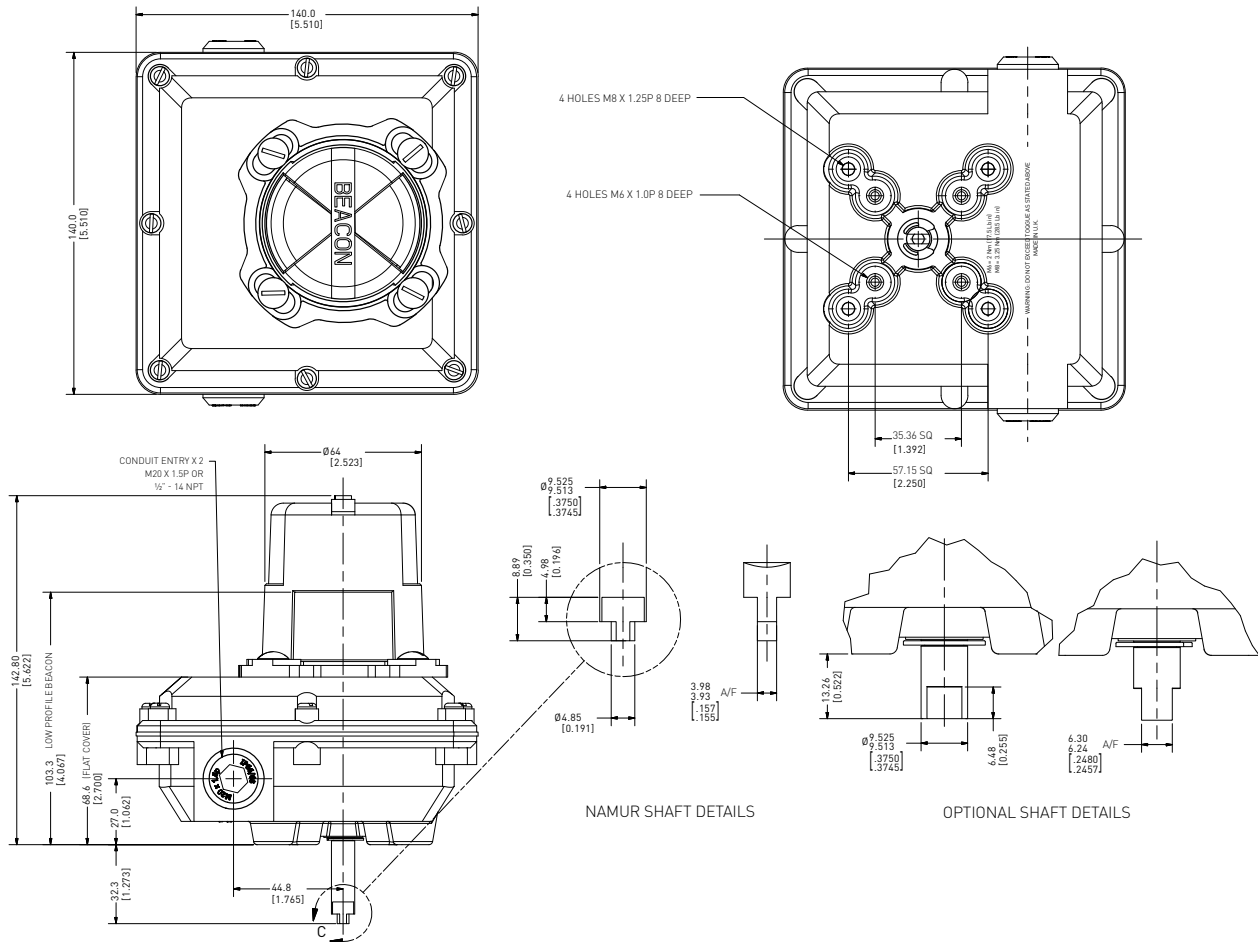
3200,3500,8500 Series

- Weatherproof design meeting a wide range of worldwide approvals.
- Touch set cams are hand adjustable, spring loaded and self-locking providing quick calibration of position switches and sensors.
- Terminal strips are pre-wired and numbered with generous working space for ease of use.
- Strong durable Beacon™ offers 360° visual indication available in a choice of styles and colors.
- Additional conduit for easy field wiring and mounting accessories as standard.
- Wide range of switches and sensors.
- Switch stabilisation plate.
- Standardized mounting pattern for easy adaptation to common bracketry.
- Range of drive shaft options.
- Engineered resin enclosure is robust yet lightweight; allows broad operating temperatures and provides exceptional chemical, UV and impact resistance.
- Aluminium enclosures with ultra-low copper content (0.2% maximum) ensure robust performance in corrosive environments.
- Rugged stainless steel enclosure.
- IP rated plugs certified where applicable.

1100 Series

- Dome shaped visual indicator provides clear feedback.
- Switch stabilisation plate.
- Quality mechanical switches roller arm; soldered and sheathed wires.
- Quick release terminal strip aids wiring.
- IP66/68 ABS enclosure provides high strength and corrosion resistance.
- IP rated plugs prevent ingress during site storage and transportation.
- Extra conduit and terminal strip points entrance allows electrical integration of solenoid valves.
- NAMUR VDI/VDE standard mounting arrangement with centralization ring for easy mounting (via an optional bracket) onto NAMUR actuators.

3200 Series resin enclosure dimensions



Dimensions in mm, where available imperial dimension (inches) in parentheses

Technical specifications

Materials of construction

Enclosure	Engineered resin
Shaft and hardware	Stainless steel
Bushing	Nylon
Beacon visual indicator	Co-polyester

Drive shaft

Standard	Double-D with 1/4" A/F
Option	NAMUR standard VDI/VDE 3845

Available switches

V3 SPDT mechanical switches
DPDT mechanical switches
Magnum SPDT (hermetically sealed proximity type) switches
V3 inductive proximity sensors

Please consult your sales office for any other requirements

Notes

Conduit entries

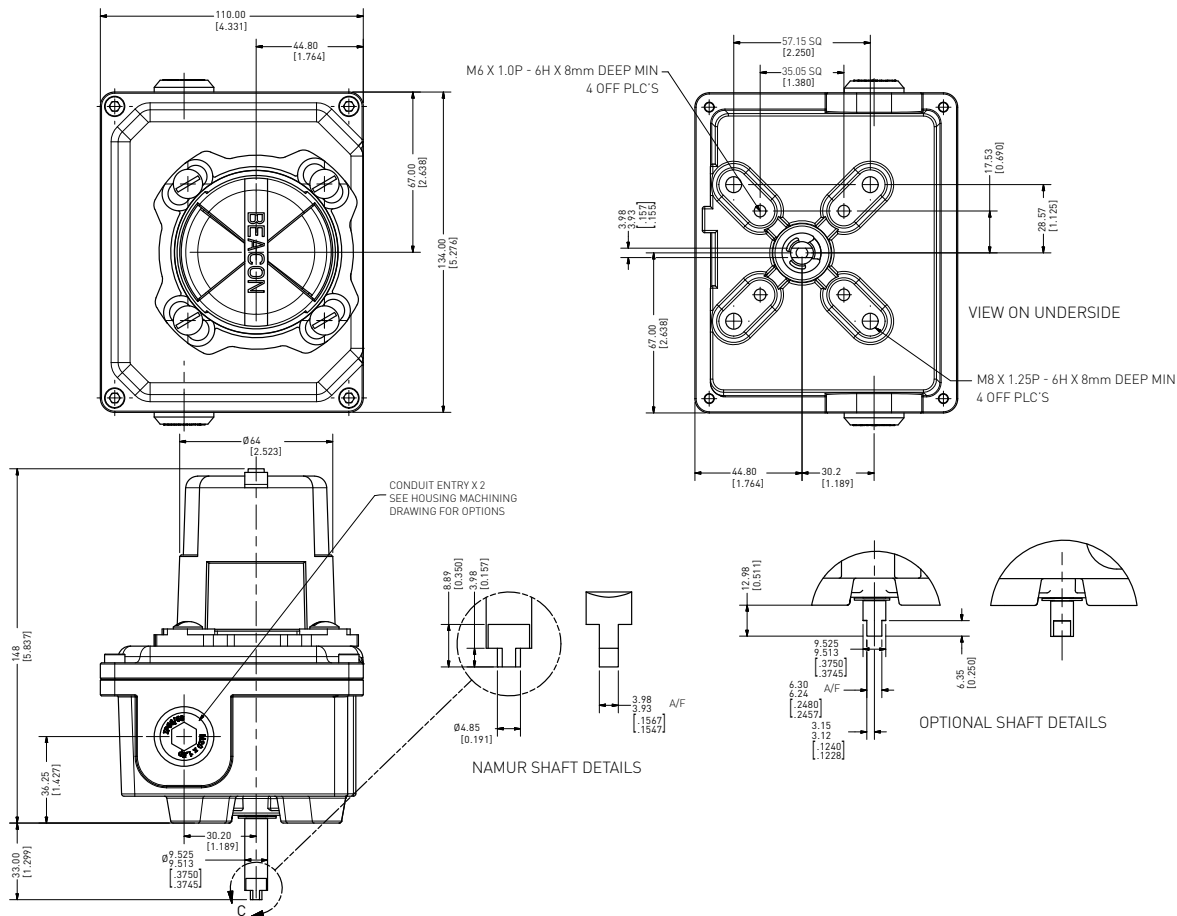
AccuTrak position monitors are available with a choice of conduit entries. Please see the selection guide for standard entries.

Switches and sensors

For further information see our switches and sensors data sheet.



3200 Series aluminium & stainless steel enclosure dimensions



Dimensions in mm, where available imperial dimension (inches) in parentheses

Technical specifications

Materials of construction

Enclosure	Aluminium with powder coat finish Stainless steel with electropolished finish
Shaft and hardware	Stainless steel
Bushing	Oil impregnated bronze (aluminium enclosure) PTFE (stainless steel enclosure)
Beacon visual indicator	Co-polyester

Drive shaft

Standard	Double-D with 1/4" A/F
Option	NAMUR standard VDI/VDE 3845

Available switches

V3 SPDT mechanical switches
DPDT mechanical switches
Magnum SPDT (hermetically sealed proximity type) switches
V3 inductive proximity sensors

Please consult your sales office for any other requirements

Notes

Conduit entries

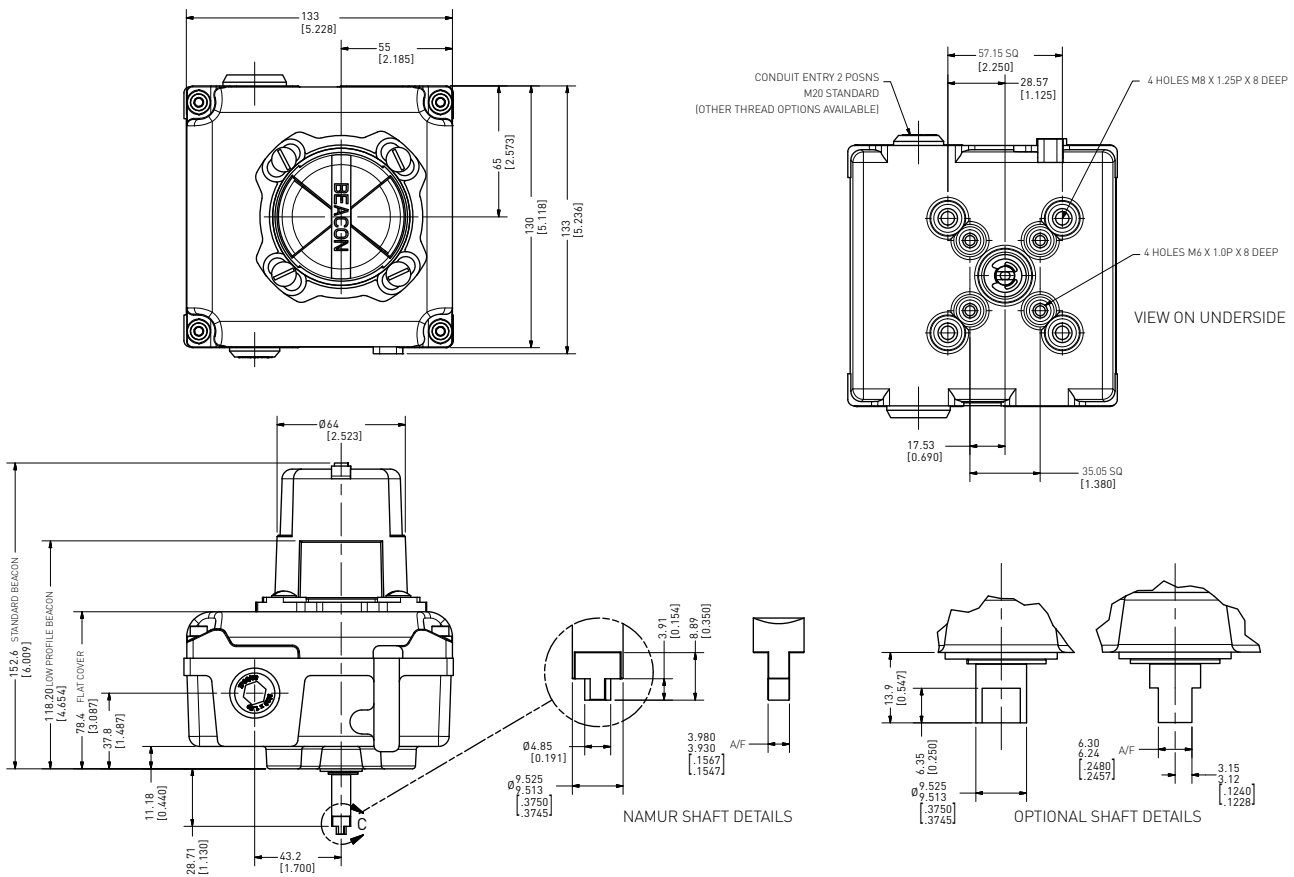
AccuTrak position monitors are available with a choice of conduit entries. Please see the selection guide for standard entries.

Switches and sensors

For further information see our switches and sensors data sheet.



3500 Series resin enclosure dimensions



Dimensions in mm, where available imperial dimension (inches) in parentheses

Technical specifications

Materials of construction

Enclosure	Engineered resin
Shaft and hardware	Stainless steel
Bushing	Nylon
Beacon visual indicator	Co-polyester

Drive shaft

Standard	Double-D with 1/4" A/F
Option	NAMUR standard VDI/VDE 3845

Available switches

V3 SPDT mechanical switches
DPDT mechanical switches, contacts
Magnum SPDT (hermetically sealed proximity type) switches
V3 inductive proximity sensors
Pneumatic 3/2 operation

Please consult your sales office for any other requirements

Notes

Conduit entries

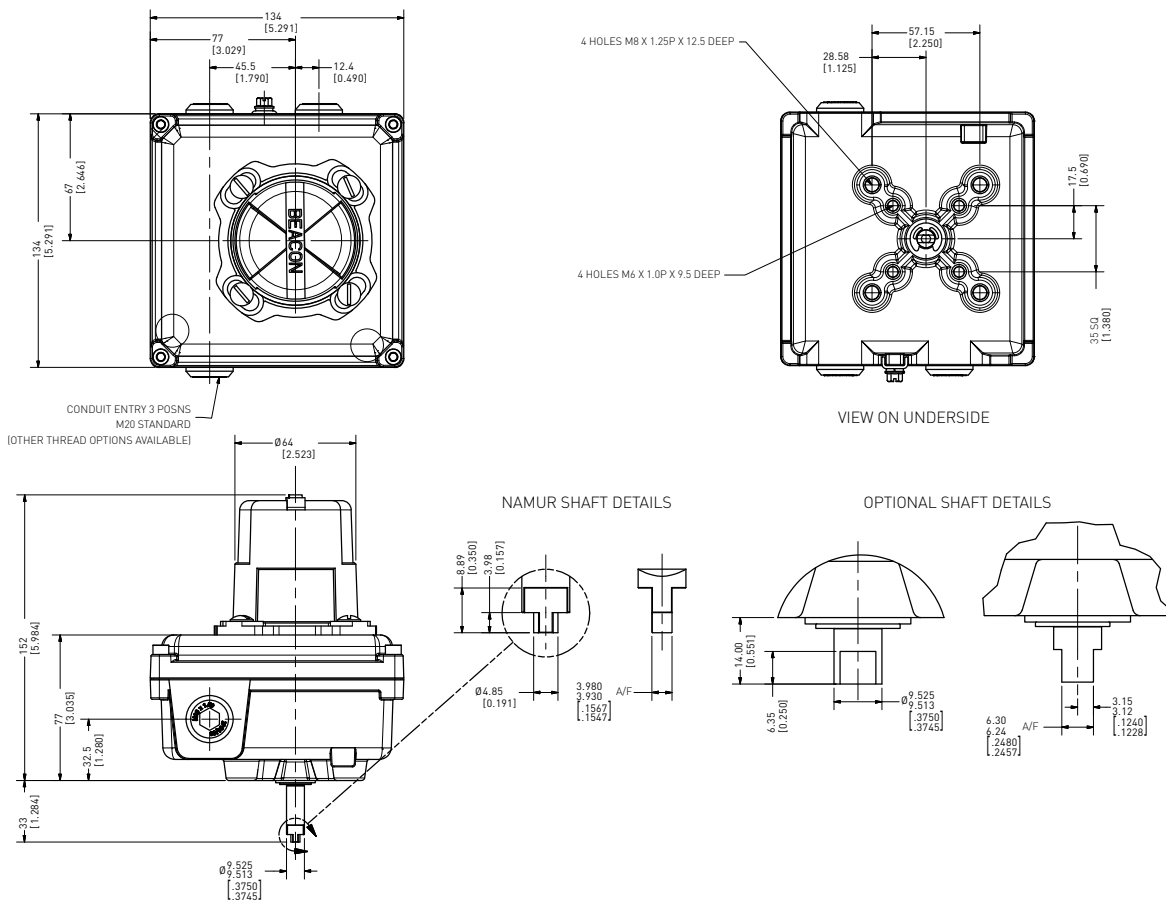
AccuTrak position monitors are available with a choice of conduit entries. Please see the selection guide for standard entries.

Switches and sensors

For further information see our switches and sensors data sheet.



3500 Series aluminium & stainless steel enclosure dimensions



Dimensions in mm, where available imperial dimension (inches) in parentheses

Technical specifications

Materials of construction

Enclosure	Aluminium with powder coat finish Stainless steel with electropolished finish
Shaft and hardware	Stainless steel
Bushing	Oil impregnated bronze (aluminium enclosure) PTFE (stainless steel enclosure)
Beacon visual indicator	Co-polyester

Drive shaft

Standard	Double-D with 1/4" A/F
Option	NAMUR standard VDI/VDE 3845

Available switches

V3 SPDT mechanical switches
DPDT mechanical switches
Magnum SPDT (hermetically sealed proximity type) switches
V3 inductive proximity sensors
Pneumatic 3/2 operation

Please consult your sales office for any other requirements

Notes

Conduit entries

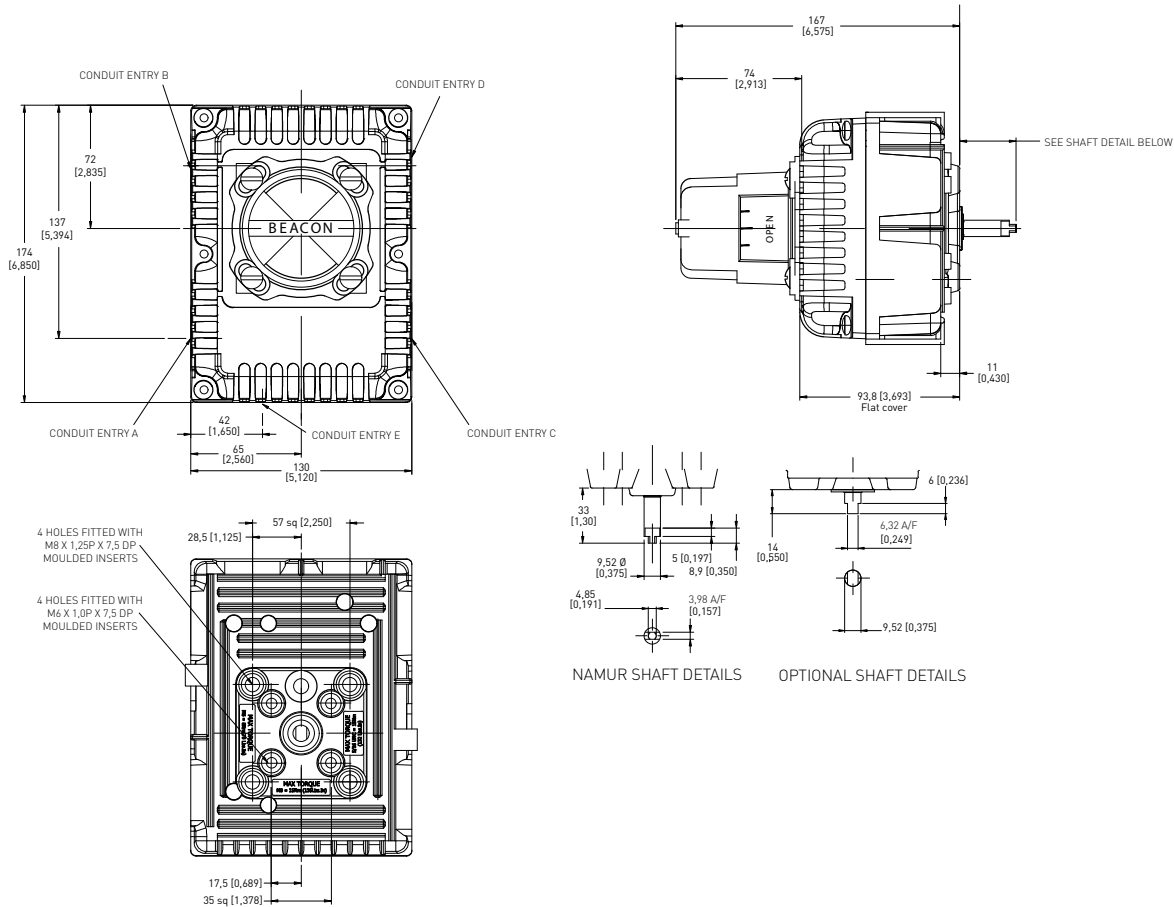
AccuTrak position monitors are available with a choice of conduit entries. Please see the selection guide for standard entries.

Switches and sensors

For further information see our switches and sensors data sheet.



8500 Series resin enclosure dimensions



Dimensions in mm, where available imperial dimension (inches) in parentheses

Technical specifications

Materials of construction

Enclosure	Engineered resin
Shaft and hardware	Stainless steel
Bushing	Nylon
Beacon visual indicator	Co-polyester

Drive shaft

Standard	Double-D with 1/4" A/F
Option	NAMUR standard VDI/VDE 3845

Available switches

V3 SPDT mechanical switches
DPDT mechanical switches
Magnum SPDT (hermetically sealed proximity type) switches
V3 inductive proximity sensors
Pneumatic 3/2 operation

Please consult your sales office for any other requirements

Notes

Conduit entries

AccuTrak position monitors are available with a choice of conduit entries. Please see the selection guide for standard entries.

Switches and sensors

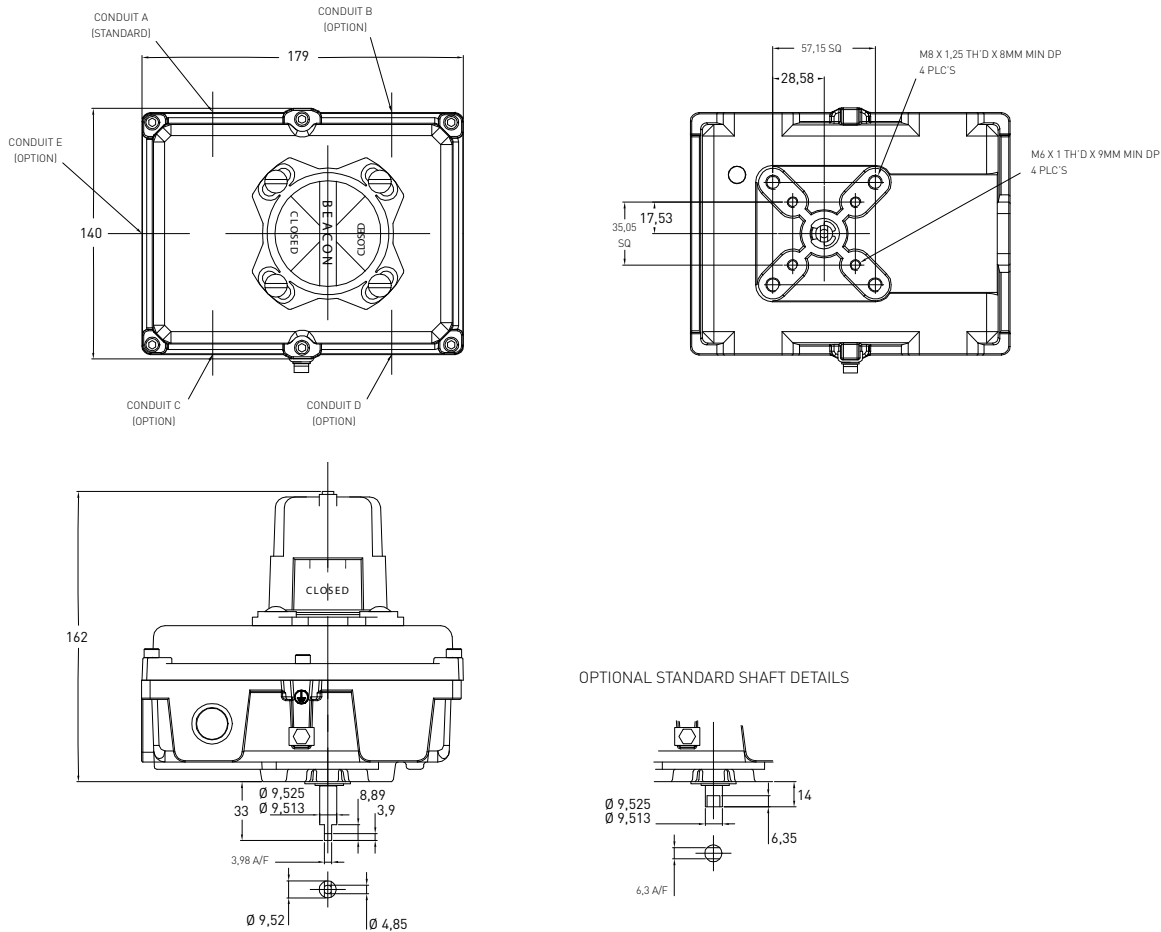
For further information see our switches and sensors data sheet.



AccuTrak™ Rotary Position Monitors

Weatherproof – IEC

8500 Series aluminium & stainless steel enclosure dimensions



Dimensions in mm, where available imperial dimension (inches) in parentheses

Technical specifications

Materials of construction

Enclosure	Aluminium with powder coat finish Stainless steel with electropolished finish
Shaft and hardware	Stainless steel
Bushing	Oil impregnated bronze (aluminium enclosure) PTFE (stainless steel enclosure)
Beacon visual indicator	Co-polyester

Drive shaft

Standard	Double-D with ¼" A/F
Option	NAMUR standard VDI/VDE 3845

Available switches

V3 SPDT mechanical switches
DPDT mechanical switches
Magnum SPDT (hermetically sealed proximity type) switches
V3 inductive proximity sensors
Pneumatic 3/2 operation

Please consult your sales office for any other requirements

Notes

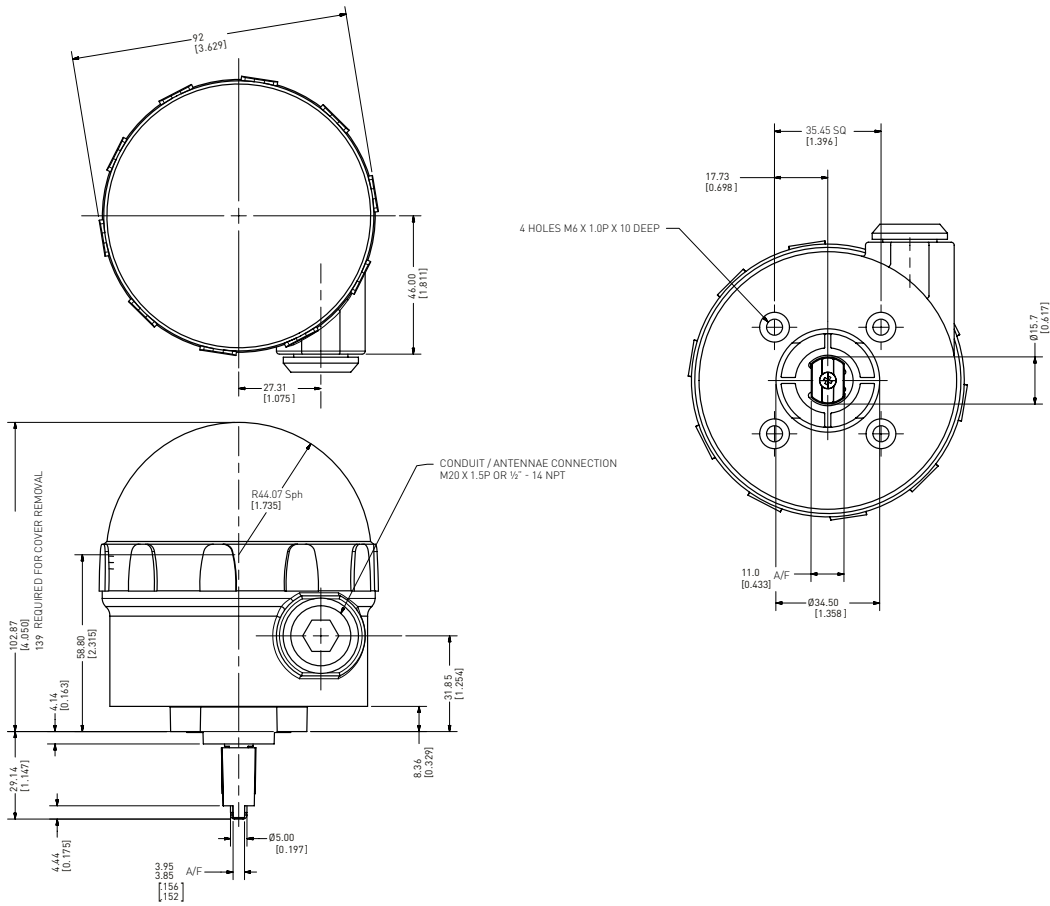
Conduit entries

AccuTrak position monitors are available with a choice of conduit entries. Please see the selection guide for standard entries.

Switches and sensors

For further information see our switches and sensors data sheet.

1100 series dimensions



Dimensions in mm, where available imperial dimension (inches) in parentheses

Technical specifications

Materials of construction

Enclosure	ABS resin
Shaft and hardware	ABS resin
Beacon indication	ABS resin
Temperature rating	-20°C to 80°C

Drive shaft

Standard	Double-D with 1/4" A/F
Option	NAMUR standard VDI/VDE 3845

Available switches

	V3 SPDT mechanical switches
--	-----------------------------

Please consult your sales office for any other requirements

Notes

Conduit entries

AccuTrak position monitors are available with a choice of conduit entries. Please see the selection guide for standard entries.

Switches and sensors

For further information see our switches and sensors data sheet.



AccuTrak™ Weatherproof Rotary Position Monitors

3200/3500 Series Selection Guide

Housing												
32	3200 with flanged lid											
35	3500 with flanged lid											
Cover style												
4	With Beacon											
6	Flat cover											
Switch type												
1	Pneumatic (3500 only)											
5	Microswitch SPDT											
6	Microswitch DPDT											
7	P&F inductive sensor											
8	Other inductive proximity											
9	Magnum SPDT											
0	No switches fitted											
Material												
A	Aluminium											
R	Engineered resin											
S	Stainless steel											
Beacon type and colour												
BY	Black/Yellow					B1	BM3-1 pattern 90°					
LY	Black/Yellow low profile					B3	BM3-3 pattern 90°					
AR	ANSI Red/White					B5	BM3-5 pattern 90°					
GR	Green/Red					B7	BM3-7 pattern 180°					
00	No Beacon fitted					B9	BM3-9 pattern 180°					
Drive shaft type												
S	Westlock standard – ¼" A/F (6.32 mm)											
N	NAMUR standard shaft – VDI/VDE 3845											
*	Non-standard material and build (consult sales office)											
Ancillary options												
000	No ancillary options											
***	Non-standard material and build (consult sales office)											
Switch/sensor quantity												
0	No switch/sensor fitted											
1	One switch/sensor											
2	Two switches/sensors											
3	Three switches/sensors (consult sales office for 3500 Series only)											
4	Four switches/sensors (consult sales office for 3500 Series only)											
Conduit entries supplied												
2	Two entries – All enclosures											
3	Three entries (consult sales office for 3500 Series only)											
Unit specification												
AAA	Standard build- M20 conduit entries											
ADZ	¾" NPT conduit entries											
DAV	M25 conduit entries											
FAN	½" NPT conduit entries											
***	Non-standard material (consult sales office)											
Certification												
0	Non-hazardous											
Revision												
R*	Internal revision #											
32	4	6	R	BY	N	000	2	2	AAA	0	R1	= Model number 3246RBYN00022AAA-0R1

Notes

Specifying your position monitor

Specifying a position monitor is a complex process as there are many variables which affect each individual application. To ensure that you receive the best possible combination for your monitoring requirement, please contact your local sales office for advice and guidance from one of our experts.

Hazardous area classification

Please see our data sheet for further information on the global standards affecting the specification and installation of equipment in hazardous area.

AccuTrak™ Weatherproof Rotary Position Monitors

8500 Series Selection Guide

Housing												
85	8500 with flanged lid											
Cover style												
4	With Beacon											
6	Flat cover											
Switch type												
1	Pneumatic											
5	Microswitch SPDT											
6	Microswitch DPDT											
7	P&F inductive sensor											
8	Other inductive proximity											
9	Magnum SPDT											
0	No switches fitted											
Material												
A	Aluminium											
R	Engineered resin											
S	Stainless steel											
Beacon type and colour												
BY	Black/Yellow					B1	BM3-1 pattern 90°					
LY	Black/Yellow low profile					B3	BM3-3 pattern 90°					
AR	ANSI Red/White					B5	BM3-5 pattern 90°					
GR	Green/Red					B7	BM3-7 pattern 180°					
00	No Beacon fitted					B9	BM3-9 pattern 180°					
Drive shaft type												
S	Westlock standard – ¼" A/F (6.32 mm)											
N	NAMUR standard shaft – VDI/VE 3845											
*	Non-standard material and build (consult sales office)											
Ancillary options												
000	No ancillary options											
***	Non-standard material and build (consult sales office)											
Switch/sensor quantity												
0	No switch/sensor fitted											
1	One switch/sensor											
2	Two switches/sensors											
3	Three switches/sensors (consult sales office)											
4	Four switches/sensors (consult sales office)											
Conduit entries supplied												
2	Two entries – All enclosures											
3	Three entries – All enclosures											
4	Four entries – All enclosures											
5	Five entries (consult sales office)											
Unit specification												
AAA	Standard build- M20 conduit entries											
ADZ	¾" NPT conduit entries											
DAV	M25 conduit entries											
FAN	½" NPT conduit entries											
***	Non-standard material (consult sales office)											
Certification												
0	Non-hazardous											
Revision												
R*	Internal revision #											
85	4	6	A	BY	N	000	2	2	AAA	0	R1	= Model number 8546ABYN0002AAA-0R1

Notes

Specifying your position monitor
 Specifying a position monitor is a complex process as there are many variables which affect each individual application. To ensure that you receive the best possible combination for your monitoring requirement, please contact your local sales office for advice and guidance from one of our experts.

Hazardous area classification
 Please see our data sheet for further information on the global standards affecting the specification and installation of equipment in hazardous areas.

AccuTrak™ Weatherproof Rotary Position Monitors

1100 Series Selection Guide

Housing												
11	1100 with screwed lid											
Cover style												
4	With Beacon											
Switch type												
5	Microswitch SPDT											
Material												
R	Engineered ABS											
Beacon type and colour												
BY	Black/Yellow standard height											
Drive shaft type												
N	NAMUR standard shaft – VDI/VDE 3845											
Ancillary options												
000	Not applicable											
Switch quantity												
2	Two switches											
Conduit entries supplied												
2	Two entries											
Unit specification												
AAA	M20 Conduits – Std. material and build											
FAN	½" NPT conduit entries											
***	Non-standard material (consult sales office)											
Certification												
0	Non-hazardous											
Revision												
R*	Internal revision #											
11	4	5	R	BY	N	000	2	2	AAA	0	R1	= Model number 1145RBYN00022AAA-0R1

Notes

Specifying your position monitor

Specifying a position monitor is a complex process as there are many variables which affect each individual application. To ensure that you receive the best possible combination for your monitoring requirement, please contact your local sales office for advice and guidance from one of our experts.

Hazardous area classification

Please see our data sheet for further information on the global standards affecting the specification and installation of equipment in hazardous areas.

US/Canada: Saddle Brook, NJ

Ph: +1 201 794 7650

Fax: +1 201 794 0913

E-mail: westlockinfo@westlockcontrols.com

South America: Sao Paulo, Brazil

Ph: +55 11 2588 1400

Fax: +55 11 2588 1410

E-mail: comercial@westlock.com.br

Europe: Kent, England

Ph: +44 1892 516277

Fax: +44 1892 707620

E-mail: sales@westlockuk.com

Asia: Singapore

Ph: +65 6768 5850

E-mail: sales@westlockuk.com