

Weatherproof rotary control monitors with a choice of enclosure materials. Impervious to moisture, chemicals and solvents, they offer a variety of switching options and single or dual coil solenoid valves.



Features

- Weatherproof design meeting a wide range of worldwide approvals.
- Quantum enclosures integrate position sensors and low power solenoid valves into a single unit.
- Solenoid coils integrated within Quantum housing.
- Choice of factory pre-wired 3 and 5 way Falcon solenoid valves.
- Solenoid valves with a choice of C_v ratings and coil voltage.
- Strong durable Beacon™ offers 360° visual indication available in a choice of styles and colors.
- Touch set cams are hand adjustable, spring loaded and self-locking providing quick calibration of position switches and sensors.
- Terminal strips are pre-wired and numbered with generous working space for ease of use.
- Additional conduit for easy field wiring and mounting accessories as standard.
- Switch stabilization plate.
- Wide range of switches and sensors.
- Standardized mounting pattern for easy adaptation to common bracketry.
- Range of drive shaft options.
- Engineered resin enclosure is robust yet lightweight; allows broad operating temperatures and provides exceptional chemical, UV and impact resistance.
- Aluminum enclosures with ultra-low copper content (0.2% maximum) ensure robust performance in corrosive environments.
- Rugged stainless steel option.
- IP rated plugs certified where applicable.

Technical Data

Agency approvals

Enclosure standards (IEC)

3200/3800/8800 series IP66/67

Switches

3200/3800/8800 series V3 SPDT mechanical switches

DPDT mechanical switches

Magnum SPDT (hermetically sealed proximity type) switches

V3 inductive proximity sensor

Enclosures

3800/8800 series Engineered resin

3200/3800/8800 series Aluminum

3200/3800/8800 series Stainless steel

Falcon solenoid valves

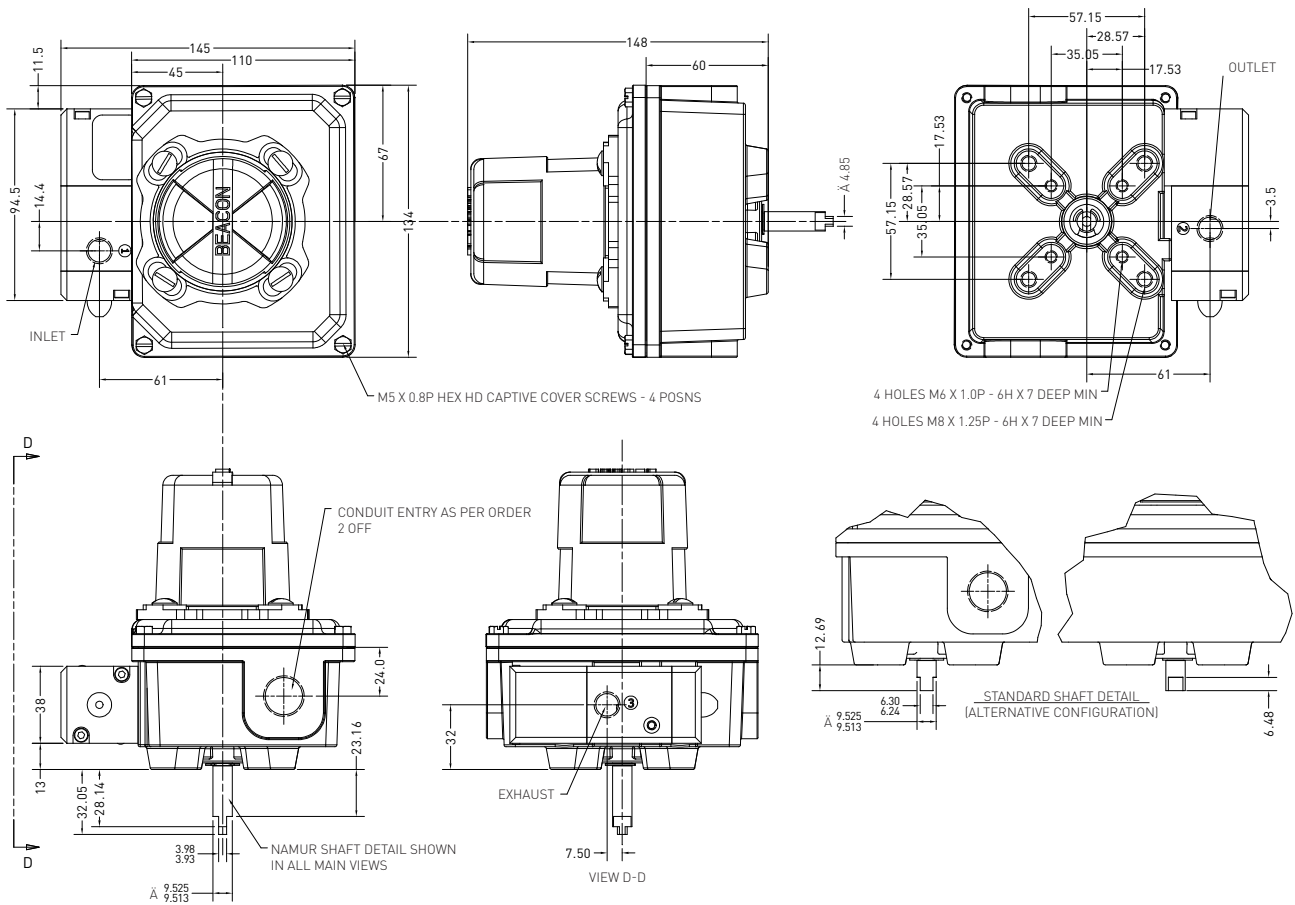
C_v Choice of 1.1, 3.5

Materials Aluminum and stainless steel

Quantum™ Rotary Control Monitors

Weatherproof – IEC

3200 Series aluminum and stainless steel enclosure dimensions



Dimensions in mm, where available imperial dimension (inches) in parentheses

Technical specifications

Materials of construction

Enclosure	Aluminum with powder coat finish Stainless steel with electropolished finish
Shaft and hardware	Stainless steel
Bushing	PTFE (stainless steel) Oil impregnated bronze (aluminum enclosure)
Beacon visual indicator	Co-polyester

Drive shaft

Standard	Double-D with 1/4" A/F
Option	NAMUR standard VDI/VDE 3845

Available switches

V3 SPDT mechanical switches
DPDT mechanical switches
Magnum, SPDT (hermetically sealed proximity type) switches with tungsten contacts
V3 inductive proximity sensor

Please consult your sales office for any other requirements

Notes

Conduit entries

Quantum control monitors are available with a choice of conduit entries. Please see the selection guide for standard entries.

Switches and sensors

For further information see our switches and sensors data sheet.

Solenoid valves

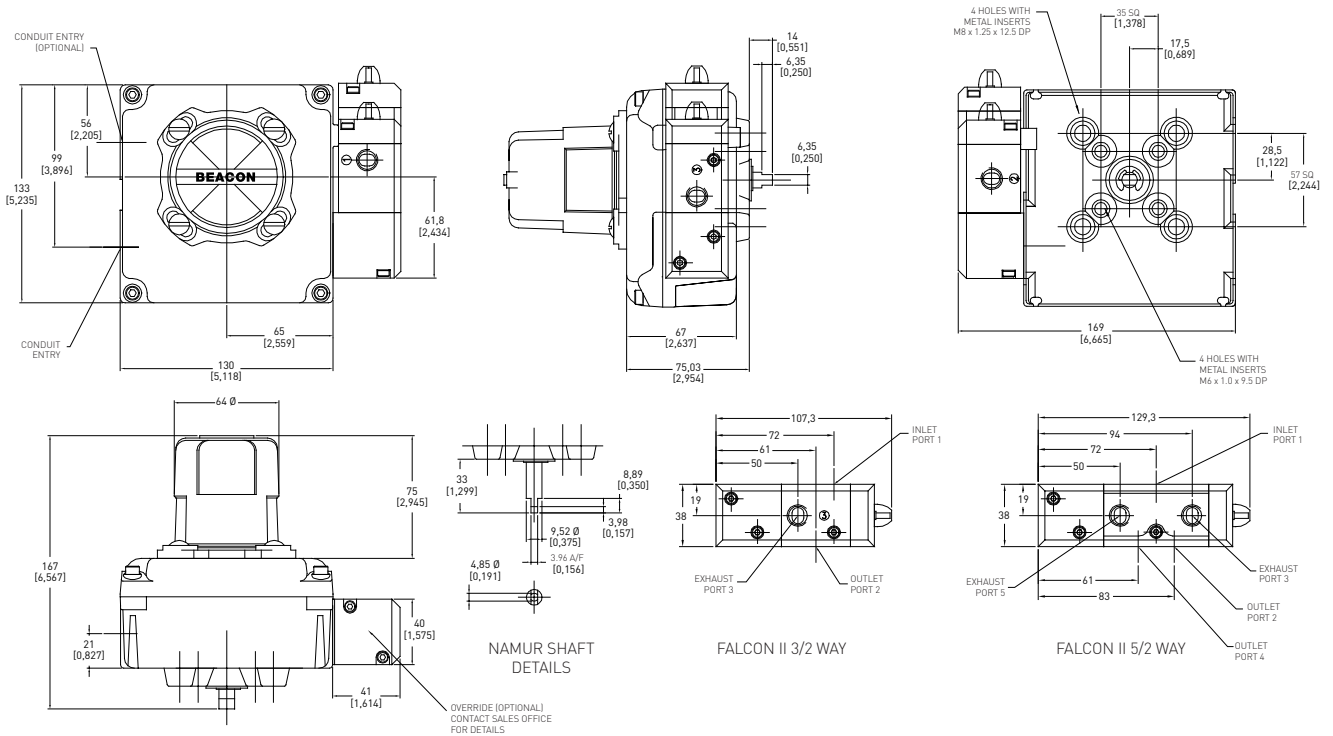
The Falcon range of solenoid valves allows you to choose the material, voltage, number of ports, number of coils and C_v to best suit your application. See the Falcon II data sheet for more information.



Quantum™ Rotary Control Monitors

Weatherproof – IEC

3800 Series resin enclosure dimensions



Dimensions in mm, where available imperial dimension (inches) in parentheses

Technical specifications

Materials of construction

Enclosure	Engineered resin
Shaft and hardware	Stainless steel
Bushing	Nylon
Beacon visual indicator	Co-polyester

Drive shaft

Standard	Double-D with 1/4" A/F
Option	NAMUR standard VDI/VDE 3845

Available switches

V3 SPDT mechanical switches
DPDT mechanical switches
Magnum, SPDT (hermetically sealed proximity type) switches with tungsten contacts
V3 inductive proximity sensor

Please consult your sales office for any other requirements

Notes

Conduit entries

Quantum control monitors are available with a choice of conduit entries. Please see the selection guide for standard entries.

Switches and sensors

For further information see our switches and sensors data sheet.

Solenoid valves

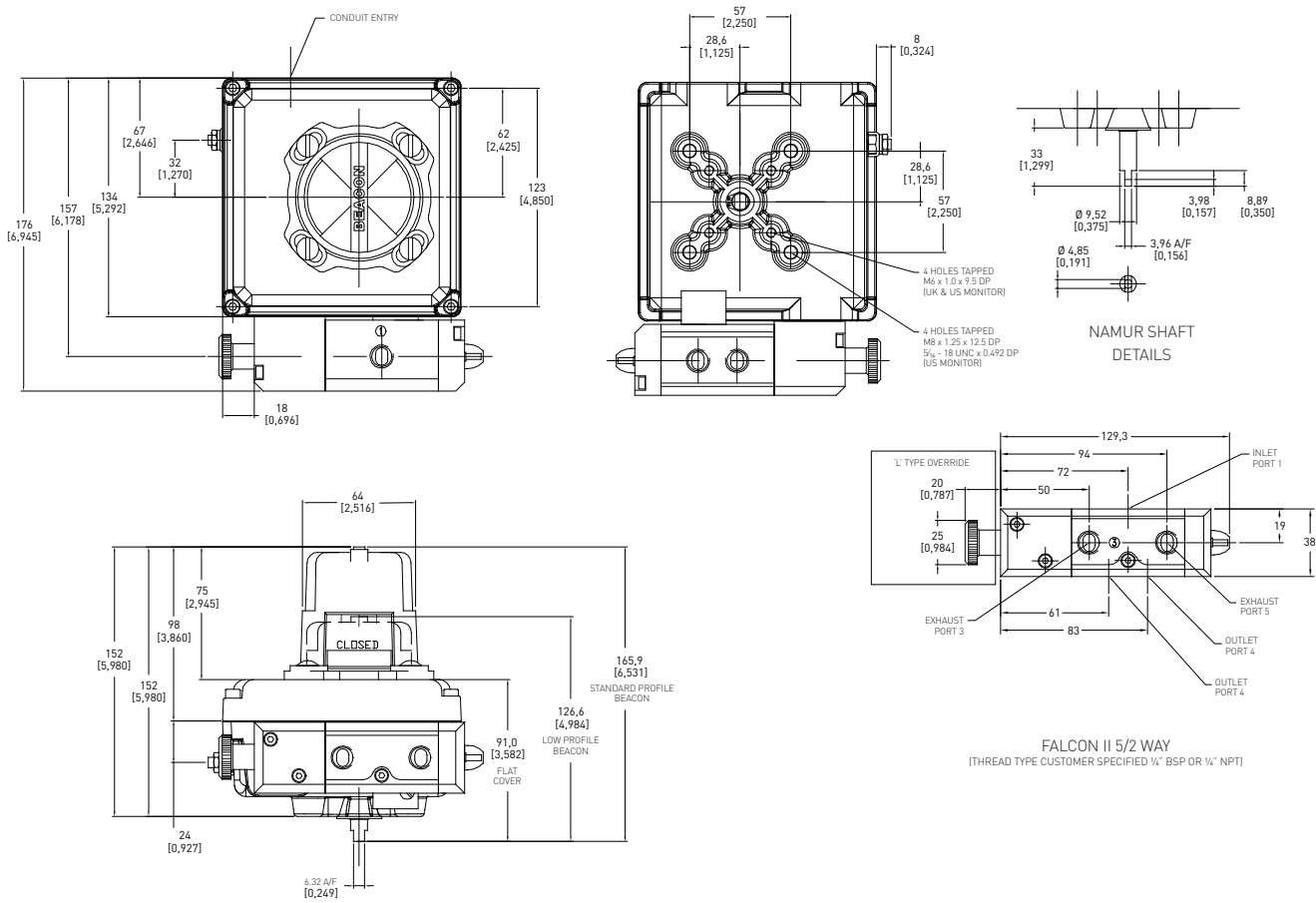
The Falcon range of solenoid valves allows you to choose the material, voltage, number of ports, number of coils and C_v to best suit your application. See the Falcon II data sheet for more information.



Quantum™ Rotary Control Monitors

Weatherproof – IEC

3800 Series aluminum and stainless steel enclosure dimensions



Dimensions in mm, where available imperial dimension (inches) in parentheses

Technical specifications

Materials of construction

Enclosure	Aluminum with powder coat finish Stainless steel with electropolished finish
Shaft and hardware	Stainless steel
Bushing	PTFE (stainless steel) Oil impregnated bronze (aluminum enclosure)
Beacon visual indicator	Co-polyester

Drive shaft

Standard	Double-D with 1/4" A/F
Option	NAMUR standard VDI/WDE 3845

Available switches

	V3 mechanical switches, SPDT
	DPDT mechanical switches
	Magnum, SPDT (hermetically sealed proximity type) switches with tungsten contacts
	V3 inductive proximity sensor

Please consult your sales office for any other requirements

Notes

Conduit entries

Quantum control monitors are available with a choice of conduit entries. Please see the selection guide for standard entries.

Switches and sensors

For further information see our switches and sensors data sheet.

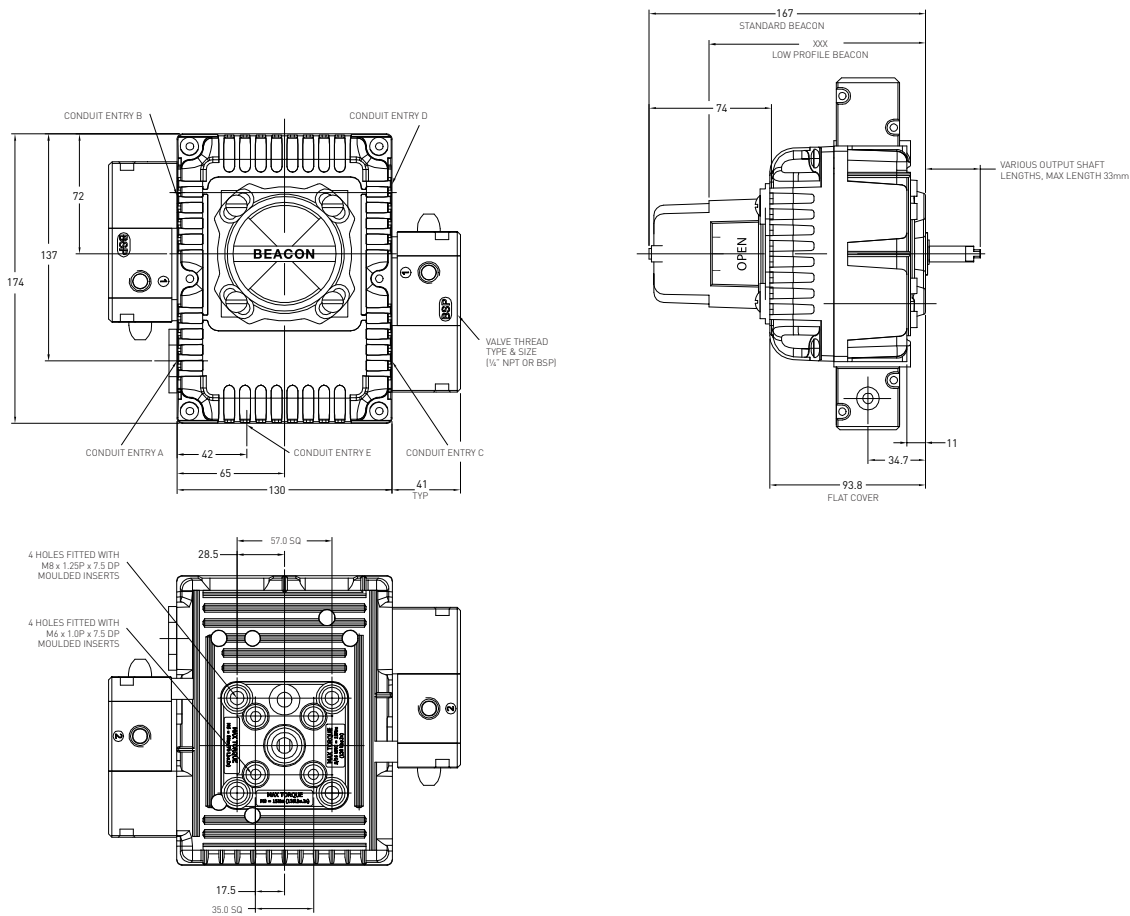
Solenoid valves

The Falcon range of solenoid valves allows you to choose the material, voltage, number of ports, number of coils and C_v to best suit your application. See the Falcon II data sheet for more information.

Quantum™ Rotary Control Monitors

Weatherproof – IEC

8800 Series resin enclosure dimensions



Dimensions in mm, where available imperial dimension (inches) in parentheses

Technical specifications

Materials of construction

Enclosure	Engineered resin
Shaft and hardware	Stainless steel
Bushing	Nylon
Beacon visual indicator	Co-polyester

Drive shaft

Standard	Double-D with 1/4" A/F
Option	NAMUR standard VDI/VDE 3845

Available switches

V3 SPDT mechanical switches
DPDT mechanical switches
Magnum, SPDT (hermetically sealed proximity type) switches with tungsten contacts
V3 inductive proximity sensor

Please consult your sales office for any other requirements

Notes

Conduit entries

Quantum control monitors are available with a choice of conduit entries. Please see the selection guide for standard entries.

Switches and sensors

For further information see our switches and sensors data sheet.

Solenoid valves

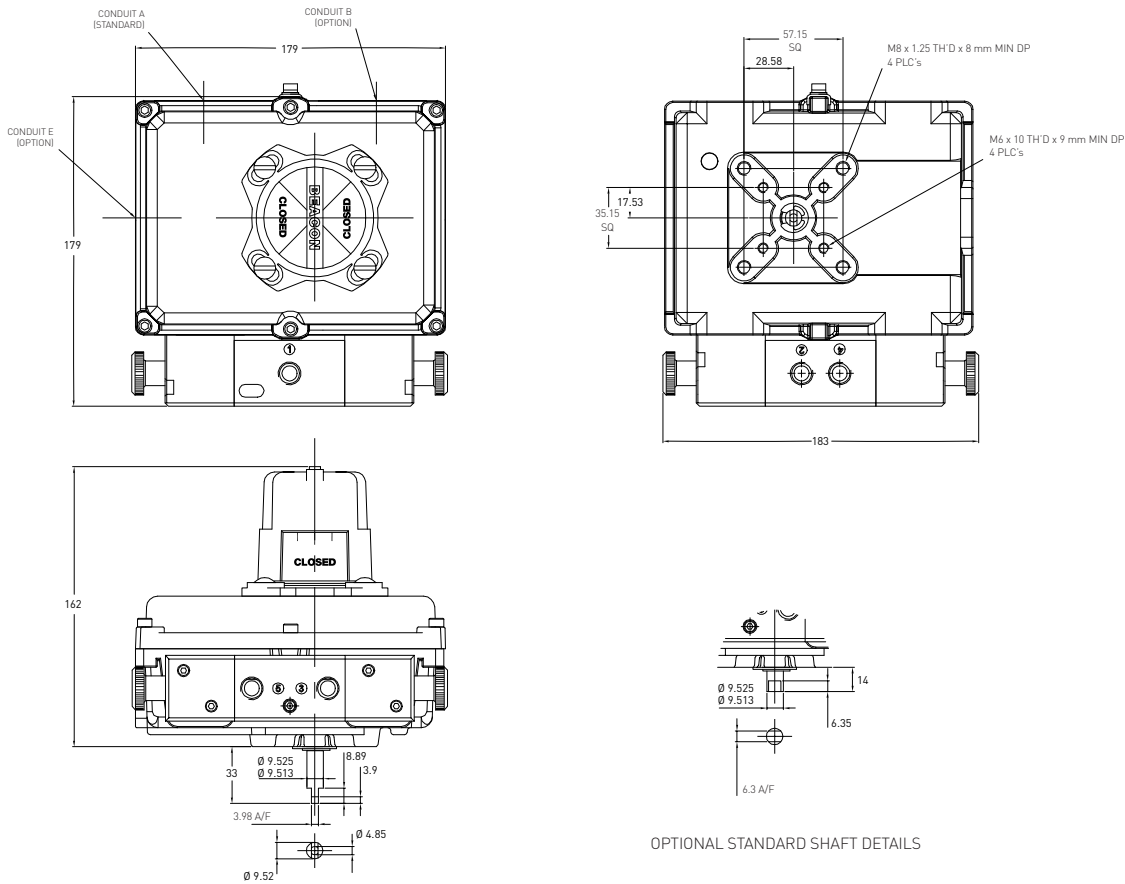
The Falcon range of solenoid valves allows you to choose the material, voltage, number of ports, number of coils and C_v to best suit your application. See the Falcon II data sheet for more information.



Quantum™ Rotary Control Monitors

Weatherproof – IEC

8800 Series aluminum and stainless steel enclosure dimensions



Dimensions in mm, where available imperial dimension (inches) in parentheses

Technical specifications	
Materials of construction	
Enclosure	Aluminum with powder coat finish Stainless steel with electropolished finish
Shaft and hardware	Stainless steel
Bushing	PTFE (stainless steel) Oil impregnated bronze (aluminum enclosure)
Beacon visual indicator	Co-polyester
Drive shaft	
Standard	Double-D with 1/4" A/F
Option	NAMUR standard VDI/VDE 3845
Available switches	
	V3 SPDT mechanical switches
	DPDT mechanical switches
	Magnum, SPDT (hermetically sealed proximity type) switches with tungsten contacts
	V3 inductive proximity sensor

Please consult your sales office for any other requirements

Notes

Conduit entries
Quantum control monitors are available with a choice of conduit entries. Please see the selection guide for standard entries.

Switches and sensors
For further information see our switches and sensors data sheet.

Solenoid valves
The Falcon range of solenoid valves allows you to choose the material, voltage, number of ports, number of coils and C_v to best suit your application. See the Falcon II data sheet for more information.

Quantum™ Weatherproof Rotary Control Monitors

3200/3800/8800 Series Selection Guide

Housing																
32	3200 with flanged lid (single coil)															
38	3800 with flanged lid (single coil)															
88	8800 with flanged lid (single and dual coil)															
Cover style																
4	With Beacon															
6	Flat cover															
Switch type																
5	Microswitch SPDT gold plated contacts							8	Other inductive sensor							
6	Microswitch DPDT							9	Magnum SPDT							
7	P&F inductive sensor							0	No switches fitted							
Material																
A	Aluminum															
R	Engineered resin (3800/8800 only)															
S	Stainless steel															
Beacon type and color																
BY	Black/Yellow							B1	BM3-1 pattern 90°							
LY	Black/Yellow (low profile)							B3	BM3-3 pattern 90°							
AR	ANSI Red/White							B5	BM3-5 pattern 90°							
GR	Green/Red							B7	BM3-7 pattern 180°							
00	No Beacon fitted							B9	BM3-9 pattern 180°							
Drive shaft type																
S	Westlock standard – ¼" A/F (6.32 mm)															
N	NAMUR standard shaft – VDI/VDE 3845															
*	Non-standard material and build (consult sales office)															
Solenoid body material																
A	Anodised aluminum															
E	Stainless steel															
Solenoid coil voltage																
C	24 V DC							G	90-120 V DC							
D	24 V AC							H	90-120 V AC							
E	48 V DC							I	220-240 V DC							
F	48 V AC							J	220-240 V AC							
Solenoid valve specification																
½" BSP entry; 1.1 Cv								½" NPT entry; 1.1 Cv								
K	3/2 way - fail closed							U	3/2 way - fail closed							
L	3/2 way - fail open							V	3/2 way - fail open							
Q	5/2 way - fail closed							1	5/2 way - fail closed							
S	5/2 way - dual coil fail last							3	5/2 way - dual coil fail last							
Switch/sensor quantity																
0	No switch/sensor fitted															
1	One switch/sensor															
2	Two switches/sensors															
3	Three switches/sensors (consult sales office for 8800 series only)															
4	Four switches/sensors (consult sales office for 8800 series only)															
Conduit entries supplied																
1	One entry (not available with 3200 series)															
2	Two entries – All enclosures															
3	Three entries (8800 series only)															
4	Four entries (consult sales office for 8800 series only)															
Unit specification																
AAA	Standard build- M20 conduit entries															
ADZ	¾" NPT conduit entries															
DAV	M25 conduit entries															
FAN	½" NPT conduit entries															
***	Non-standard material – (consult sales office)															
Certification																
0	Non-hazardous															
Revision																
R*	Internal revision #															

32 4 5 A BY N A C K 2 2 AAA 0 R1 = Model number **3245ABYNACK22AAA-0R1**

Notes

Specifying your control monitor
 Specifying a control monitor is a complex process as there are many variables that affect each individual application. To ensure that you receive the best possible combination for your control and monitoring requirement, please contact your local sales office for advice and guidance from one of our experts.

Hazardous area classification
 Please see our data sheet for further information on the global standards affecting the specification and installation of equipment in hazardous areas.

US/Canada: Saddle Brook, NJ

Ph: +1 201 794 7650

Fax: +1 201 794 0913

E-mail: westlockinfo@westlockcontrols.com

South America: Sao Paulo, Brazil

Ph: +55 11 2588 1400

Fax: +55 11 2588 1410

E-mail: comercial@westlock.com.br

Europe: Kent, England

Ph: +44 1892 516277

Fax: +44 1892 707620

E-mail: sales@westlockuk.com

Asia: Singapore

Ph: +65 6768 5850

E-mail: sales@westlockuk.com