

Rotary position monitors certified to Ex II 2G and specifically engineered for hazardous environments. Available with either low-copper aluminium or stainless steel enclosures, they are available with a range of position sensors and switches.



Features

- Flameproof design meeting a wide range of worldwide approvals.
- Touch set cams are hand adjustable, spring loaded and self-locking providing quick calibration of position switches and sensors.
- Strong durable Beacon™ offers 360° visual indication available in a choice of styles and colors.
- Terminal strips are pre-wired and numbered with generous working space for ease of use.
- Additional conduit for easy field wiring and mounting accessories as standard.
- Wide range of switches and sensors.
- Position transmitter option.
- Switch stabilisation plate.
- Standardized mounting pattern for easy adaptation to common bracketry.
- Range of drive shaft options.
- Aluminium enclosures with ultra-low copper content (0.2% maximum) ensure robust performance in corrosive environments.
- Rugged stainless steel enclosures.
- IP rated plugs certified where applicable.

Technical Data

Agency approvals

Area classification (ATEX/ IEC)

2200 Series	Ex II 2G Ex d IIB +H2 Ex tD A21 IP6X
-------------	--

2600 Series	Ex II 2G Ex d IIC Ex tD A21 IP6X
-------------	--

Enclosure standards (IEC)

All enclosures	IP66/67
----------------	---------

Switches

All Models	V3 SPDT mechanical switches
All Models	DPDT mechanical switches
All Models	V3 slotted and barrel inductive proximity sensors
All Models	Magnum SPDT (hermetically sealed proximity type) switches
2200 Series	G0 hermetically sealed switches

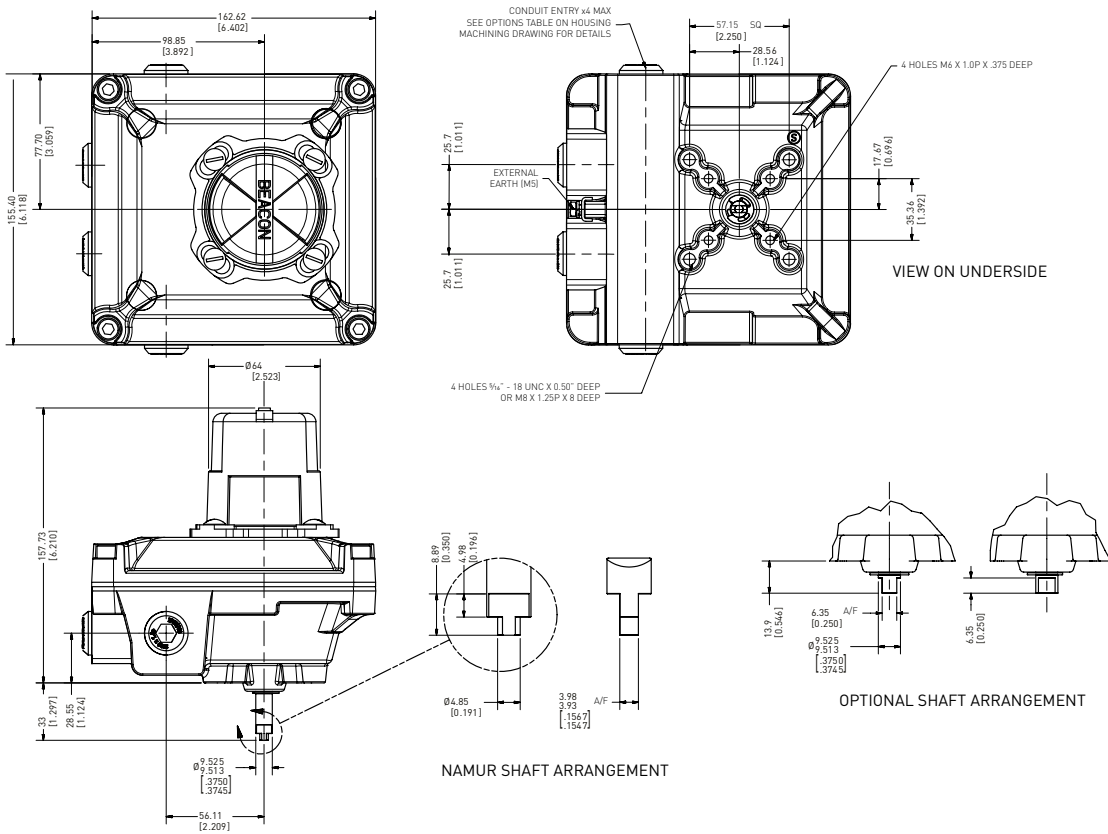
Enclosures

All Models	Aluminium Stainless steel
------------	------------------------------

AccuTrak™ Rotary Position Monitors

Explosionproof/Flameproof – ATEX/IEC

2200 Series enclosure dimensions



Dimensions in mm, where available imperial dimension (inches) in parentheses

Technical specifications

Materials of construction

Enclosure	Aluminium with powder coat finish Stainless steel with electropolished finish
Temp. range	-30°C to +85°C (Flat cover -20°C to +85°C)
Shaft and hardware	Stainless steel
Bushing	Oil impregnated bronze (aluminium enclosure) PTFE (stainless steel enclosure)
Beacon visual indicator	Co-polyester
Drive shaft	
Standard	Double-D with 1/4" A/F
Option	NAMUR standard VDI/VDE 3845
Available switches	
	V3 SPDT mechanical switches
	DPDT mechanical switches
	V3 slotted and barrel inductive proximity sensors
	Magnum SPDT (hermetically sealed proximity type) switches
	GO hermetically sealed switches

Please consult your sales office for any other requirements

Notes

Conduit entries

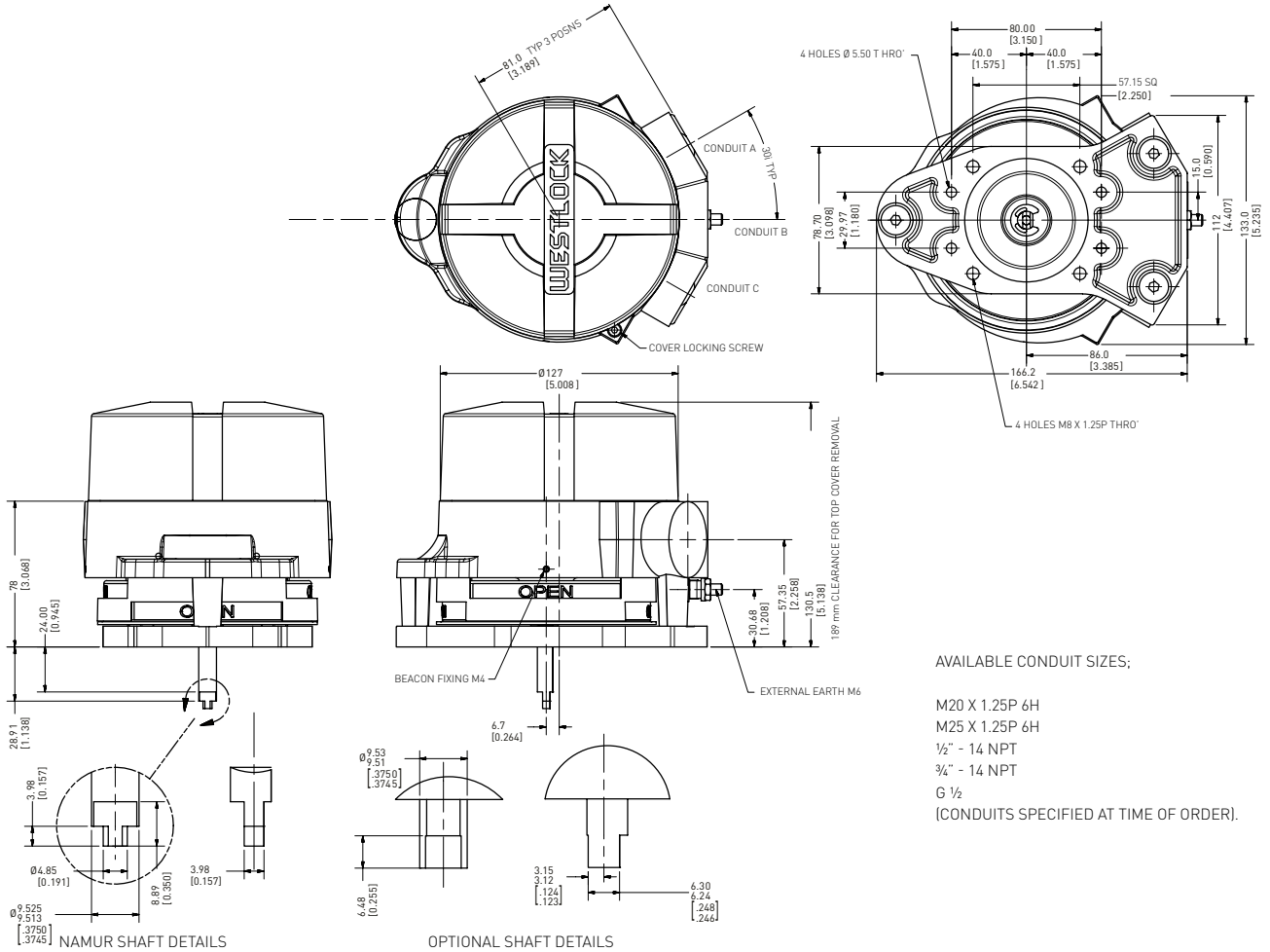
AccuTrak position monitors are available with a choice of conduit entries. Please see the selection guide for standard entries.

Switches and sensors

For further information see our switches and sensors data sheet.



2600 Series enclosure dimensions



AVAILABLE CONDUIT SIZES:

- M20 X 1.25P 6H
 - M25 X 1.25P 6H
 - ½" - 14 NPT
 - ¾" - 14 NPT
 - G ½
- (CONDUITS SPECIFIED AT TIME OF ORDER).

Dimensions in mm, where available imperial dimension (inches) in parentheses

Technical specifications

Materials of construction

Enclosure	Aluminium with powder coat finish Stainless steel with electropolished finish
Temp. range	-60°C to +110°C
Shaft and hardware	Stainless steel with electropolished finish
Bushing	Oil impregnated bronze (aluminium enclosure) PTFE (stainless steel enclosure)
Beacon visual indicator	Co-polyester
Drive shaft	
Standard	Double-D with ¼" A/F
Option	NAMUR standard VDI/VDE 3845
Available switches	
	V3 SPDT mechanical switches
	DPDT mechanical switches
	V3 slotted and barrel inductive proximity sensors
	Magnum SPDT (hermetically sealed proximity type) switches

Please consult your sales office for any other requirements

Notes

Conduit entries

Accutrak position monitors are available with a choice of conduit entries. Please see the selection guide for standard entries.

Switches and sensors

For further information see our switches and sensors data sheet.



AccuTrak™ Explosionproof Rotary Position Monitors

2200 Series Selection Guide

Housing												
22	2200 with flanged lid											
Cover style												
4	With Beacon visual indication											
6	No visual indication											
Switch type												
3	G0 switch SPDT											
5	Microswitch SPDT contacts											
6	Microswitch DPDT contacts											
7	P&F sensor											
8	Other inductive sensor											
9	Magnum proximity switch											
0	No switches fitted											
Material												
A	Aluminium											
S	Stainless steel											
Beacon type and colour												
BY	Black/Yellow					B1	BM3-1 pattern 90°					
AR	ANSI Red/White					B3	BM3-3 pattern 90°					
GR	Green/Red					B5	BM3-5 pattern 90°					
00	No Beacon fitted					B7	BM3-7 pattern 180°					
						B9	BM3-9 pattern 180°					
Drive shaft type												
S	Westlock standard – ¼" A/F (6.32 mm)											
N	NAMUR standard shaft – VDI/VDE 3845											
*	Non-standard material and build (consult sales office)											
Ancillary options												
000	No ancillary options											
***	Non-standard material and build (consult sales office)											
Switch/sensor quantity												
0	No switch/sensor fitted											
1	One switch/sensor											
2	Two switches/sensors											
3	Three switches/sensors											
4	Four switches/sensors											
5	Five switches/sensors (consult sales office)											
6	Six switches/sensors (consult sales office)											
Conduit entries supplied												
2	Two entries – standard											
4	Four entries (consult sales office)											
Unit specification												
AAA	Standard build- M20 conduit entries											
ADZ	¾" NPT conduit entries											
DAV	M25 conduit entries											
FAN	½" NPT conduit entries											
***	Non-standard material (consult sales office)											
Certification												
A	ATEX											
I	IECEX											
*	Other options (consult sales office)											
Revision												
R*	Internal revision #											
22	4	9	A	BY	N	000	2	2	AAA	A	R1	= Model number 2249ABYN0002AAA-AR1

Notes

Specifying your position monitor
 Specifying a position monitor is a complex process as there are many variables which affect each individual application. To ensure that you receive the best possible combination for your monitoring requirement, please contact your local sales office for advice and guidance from one of our experts.

Hazardous area classification
 Please see our data sheet for further information on the global standards affecting the specification and installation of equipment in hazardous areas.

AccuTrak™ Explosionproof Rotary Position Monitors

2600 Series Selection Guide

Housing												
26	2600 with screw lid											
Cover style												
4	With Beacon visual indication											
6	No visual indication											
Switch type												
5	Microswitch SPDT contacts											
6	Microswitch DPDT contacts											
7	P&F sensor											
8	Other inductive sensor											
9	Magnum proximity switch											
0	No switches fitted											
Material												
A	Aluminium											
S	Stainless steel											
Beacon type and colour												
BY	Black/Yellow				B1	BM3-1 pattern 90°						
AR	ANSI Red/White				B3	BM3-3 pattern 90°						
GR	Green/Red				B5	BM3-5 pattern 90°						
00	No Beacon fitted				B7	BM3-7 pattern 180°						
					B9	BM3-9 pattern 180°						
Drive shaft type												
S	Westlock standard – ¼" A/F (6.32 mm)											
N	NAMUR standard shaft – VDI/VDE 3845											
*	Non-standard material and build (consult sales office)											
Ancillary options												
000	No ancillary options											
***	Non-standard material and build (consult sales office)											
Switch/sensor quantity												
0	No switch/sensor fitted											
1	One switch/sensor											
2	Two switches/sensors											
3	Three switches/sensors (consult sales office)											
4	Four switches/sensors (consult sales office)											
Conduit entries supplied												
2	Two entries – standard											
4	Four entries (consult sales office)											
Unit specification												
AAA	Standard build- M20 conduit entries											
ADZ	¾" NPT conduit entries											
DAV	M25 conduit entries											
FAN	½" NPT conduit entries											
***	Non-standard material (consult sales office)											
Certification												
A	ATEX											
I	IECEX											
*	Other options (consult sales office)											
Revision												
R*	Internal revision #											
26	4	9	S	BY	N	000	2	2	AAA	A	R1	= Model number 2649SBYN0002AAA-AR1

Notes

Specifying your position monitor

Specifying a position monitor is a complex process as there are many variables which affect each individual application. To ensure that you receive the best possible combination for your monitoring requirement, please contact your local sales office for advice and guidance from one of our experts.

Hazardous area classification

Please see our data sheet for further information on the global standards affecting the specification and installation of equipment in hazardous areas.

US/Canada: Saddle Brook, NJ

Ph: +1 201 794 7650

Fax: +1 201 794 0913

E-mail: westlockinfo@westlockcontrols.com

South America: Sao Paulo, Brazil

Ph: +55 11 2588 1400

Fax: +55 11 2588 1410

E-mail: comercial@westlock.com.br

Europe: Kent, England

Ph: +44 1892 516277

Fax: +44 1892 707620

E-mail: sales@westlockuk.com

Asia: Singapore

Ph: +65 6768 5850

E-mail: sales@westlockuk.com