

Highly visual position and flow path monitoring for actuated valves, gear operators, dampers and three-way control assemblies. The Beacon provides single 360° visual position monitoring.

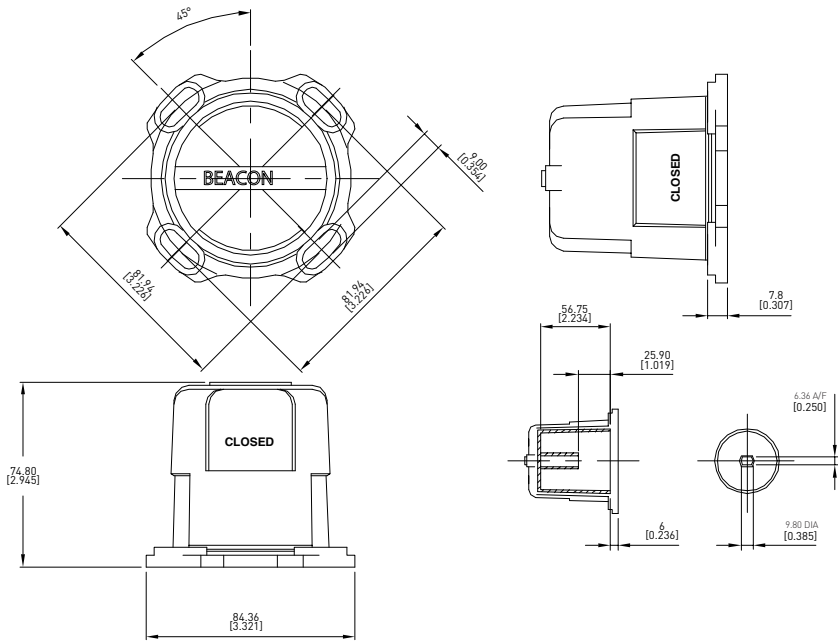
**Features**

- Manufactured from high impact strength, corrosion and UV resistant clear co-polyester.
- Helps increase safety for plant personnel.
- Offers instant visual recognition of valve position from all vantage points.
- 360° color coding for maximum visual impact.
- Totally enclosed instrument devoid of any external moving parts
- Provides a true measure of valve performance.
- Monitors valve position while visually displaying flow path.
- Eliminates guesswork and reduces costs at system start-up.
- Offers positive mechanical monitoring of multiport control valves.
- Unaffected by a broad range of chemical reagents.

Technical Data**Agency approvals**

Tensile strength @ break	7,600 psi
Izod impact strength, notched @ 23°C (73°F)	>16 ft-lb/in
UV resistance	Yes
Clarity	Yes
Heat deflection temperature HDT @ 264 psi	67°C (151°F)
UL flammability rating	94HB
Operating temperature	-40°F to 180°F -40°C to +82°C

Dimensions



Dimensions in mm, where available imperial dimension (inches) in parentheses

Selection guide

Quarter turn

- BM2-Y Black open/yellow closed
- BM2-RG Green open/red closed
- BM2-B ANSI Blue and white
- BM2-R ANSI red and white

Standard Beacons



Standard
(Black & Yellow)



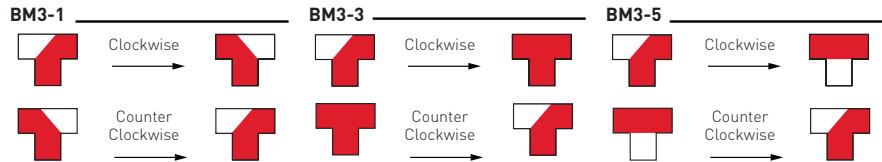
ANSI Blue
(Gas-low Hazard)



ANSI Red
(Fire Quenching)

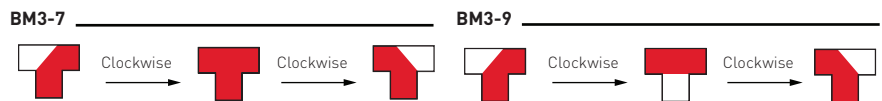
90 degree 3-way

- BM3-1 See standard flowpaths
- BM3-3 See standard flowpaths
- BM3-5 See standard flowpaths



180 degree 3-way

- BM3-7 See standard flowpaths
- BM3-9 See standard flowpaths



A wide variety of special Beacons is available. Please consult your sales representative.

US/Canada: Saddle Brook, NJ

Ph: +1 201 794 7650
Fax: +1 201 794 0913
E-mail: westlockinfo@westlockcontrols.com

South America: Sao Paulo, Brazil

Ph: +55 11 2588 1400
Fax: +55 11 2588 1410
E-mail: comercial@westlock.com.br

Europe: Kent, England

Ph: +44 1892 516277
Fax: +44 1892 707620
E-mail: sales@westlockuk.com

Asia: Singapore

Ph: +65 6768 5850
E-mail: sales@westlockuk.com