

Accutrak 9468 series are fully integrated and encapsulated rotary valve position monitors that are agency certified as non-incendive.



Technical Data

Agency approvals

Area classification (NEC 500)	Class I, Division 2, Groups A, B, C & D Class II, Division 2, Groups F & G
-------------------------------	---

Enclosure standards (ANSI/NEMA 250)	Type 4, 4X
-------------------------------------	------------

Switches

Model 9468	Magnum SPDT (hermetically sealed proximity type) switches MagPAC bifurcated switch pack
------------	--

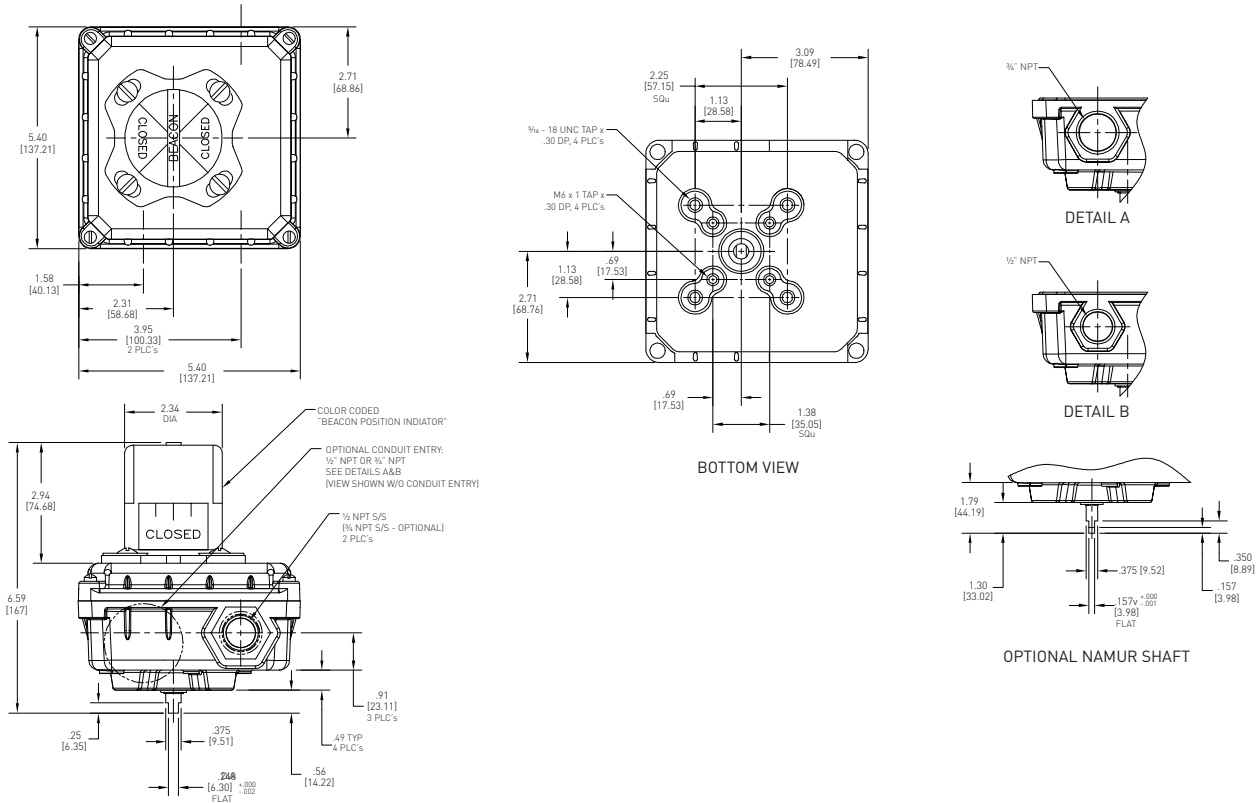
Enclosures

Model 9468	Engineered resin Stainless steel
------------	-------------------------------------

Features

- Magnum switches with rhodium contacts for use with low power I/O's for longer contact life.
- MagPAC bifurcated switch pack provides reliable action for low power and non-resistive loads.
- MagPAC LEDs provide clear status indication of limit switch and solenoid, where applicable.
- Strong durable Beacon™ offers 360° visual indication available in a choice of styles and colors.
- Touch set cams are hand adjustable, spring loaded and self-locking providing quick calibration of position switches and sensors.
- Terminal strips are pre-wired and numbered with generous working space for ease of use.
- Additional conduit for easy field wiring and mounting accessories as standard.
- Analog position transmitter option.
- Standardized mounting pattern for easy adaptation to common bracketry.
- Robust stainless steel conduit entry inserts provide protection from excessive torque and reliable grounding.
- NAMUR shaft output compliant to VDI/VDE 3845 available.
- Engineered resin enclosure is robust yet lightweight; allows broad operating temperatures and provides exceptional chemical, UV and impact resistance.

Model 9468 dimensions



Dimensions in inches, where available metric dimension (mm) in parentheses.

Technical specifications

Materials of construction	
Enclosure	Engineered polyamide resin
Shaft and hardware	Stainless steel
Bushing	Nylon
Beacon visual indicator	Co-polyester
Drive shaft	
Standard	Double-D with 1/4" A/F
Option	NAMUR standard VDI/VDE 3845
Available switches	
	Magnum, SPDT hermetically sealed switches, with tungsten contacts
	Magnum, SPDT hermetically sealed switches, with rhodium contacts
	MagPAC Switch pack, SPST normally open with LED indication
Options	
	4-20 mA position transmitter
	Stainless steel enclosure

Please consult your sales office for any other requirements

Notes

Conduit entries
AccuTrak position monitors are available with a choice of conduit entries. Please see the selection guide for standard entries.

Switches and sensors
For further information see our switches and sensors data sheet.

Eliminator fitting
A specialist eliminator fitting is available for the purpose of mounting an aftermarket solenoid valve.



AccuTrak™ Non-incendive Rotary Position Monitor

Model 9468 Selection Guide

Base model

9468 Engineered resin enclosure

Shaft output

- S Standard (double-D with ¼" Flats)
- N NAMUR

Beacon

- BY BM2-Y (standard)
- RG BM2-RG (Red Closed/Green Open)
- FE BM2-Y-FE (French/English)
- AB BM2-B
- AR BM2-R
- B1 BM3-1
- B3 BM3-3
- B5 BM3-5
- B7 BM3-7
- B9 BM3-9
- FC Flat Cover

Conduit

- 2A Two ½" NPT (F)
- 2B Two ¾" NPT (F)
- 2G One ½" NPT (F) and one ½" NPT (M) eliminator fitting

Position switches

- 2M06 Two SPDT Magnum switches with tungsten contacts - 8 pt. TS
- 2M12 Two SPDT Magnum switches with rhodium contacts - 8 pt. TS
- 2M13 MagPAC module (Two SPST bifurcated switches with LEDs)
Note:MagPAC is standard with clear cover
- 4M06 Four SPDT Magnum switches with tungsten contacts - 16 pt. TS
- 4M12 Four SPDT Magnum switches with rhodium contacts - 16 pt. TS

Analog position transmitter

- 00 None
- CS 4-20 mA position transmitter - 12 pt. TS (with 2M06 and 2M12 only)

9468 N BY 2A 2M13 00 = Model number **9468NBY2A2M1300**

Note: For stainless steel enclosure, please add '00124' to end of your part number built with the above selection guide

Notes

Specifying your position monitor

Specifying a position monitor is a complex process as there are many variables which affect each individual application. To ensure that you receive the best possible combination for your monitoring requirement, please contact your local sales office for advice and guidance from one of our experts.

Hazardous area classification

Please see our data sheet for further information on the global standards affecting the specification and installation of equipment in hazardous areas.

US/Canada: Saddle Brook, NJ

Ph: +1 201 794 7650

Fax: +1 201 794 0913

E-mail: westlockinfo@westlockcontrols.com

South America: Sao Paulo, Brazil

Ph: +55 11 2588 1400

Fax: +55 11 2588 1410

E-mail: comercial@westlock.com.br

Europe: Kent, England

Ph: +44 1892 516277

Fax: +44 1892 707620

E-mail: sales@westlockuk.com

Asia: Singapore

Ph: +65 6768 5850

E-mail: sales@westlockuk.com