

AccuTrak™ Rotary Position Monitors

Increased Safety/Encapsulation – ATEX/IEC

WESTLOCK
CONTROLS

Fully integrated and encapsulated rotary valve position monitors. Simple to install, they provide clear status information and eliminate the need for additional barriers and independent junction boxes.



Technical Data

Agency approvals

Area classification (ATEX/IEC)	Ex II 2GD Ex mb e IIC T* Gb Ex tb IIIC T**C Db IP6X
--------------------------------	---

Enclosure standards (IEC)

Aluminium & stainless steel	IP66/67
Engineered resin (3400)	IP66/67/68
Engineered resin (8400)	IP66/67

Switches

All Models	Magnum SPDT (hermetically sealed proximity type) switches
------------	---

Enclosures

All Models	Engineered resin Aluminium Stainless steel
------------	--

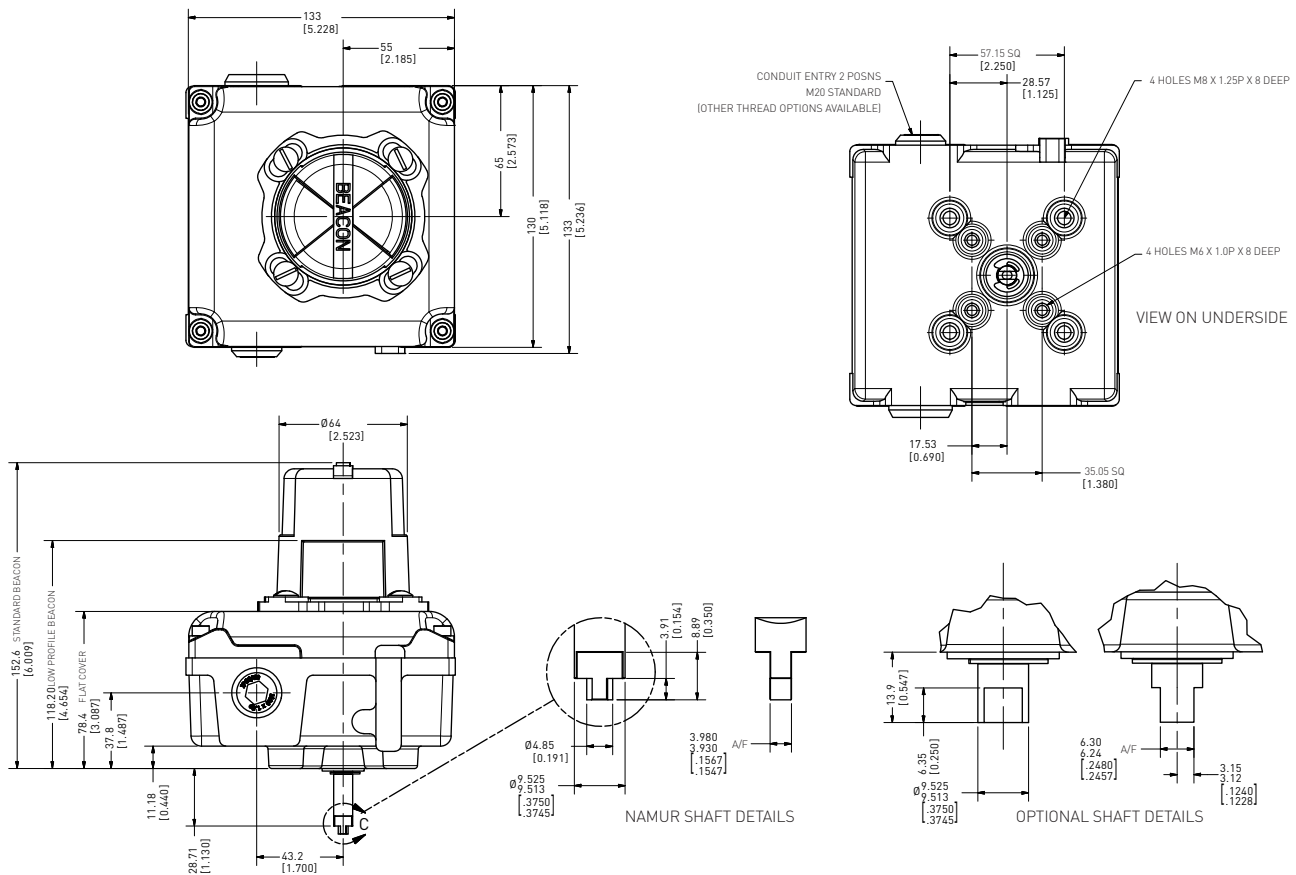
Features

- Increased Safety/Encapsulation design meeting a wide range of worldwide approvals.
- Strong durable Beacon™ offers 360° visual indication available in a choice of styles and colors.
- Cost effective alternative to Ex d units in specific applications.
- Touch set cams are hand adjustable, spring loaded and self-locking providing quick calibration of position switches and sensors.
- Terminal strips are pre-wired and numbered with generous working space for ease of use.
- Additional conduit for easy field wiring and mounting accessories as standard.
- Wide range of switches and sensors.
- Switch stabilisation plate.
- Standardized mounting pattern for easy adaptation to common bracketry.
- Range of drive shaft options.
- Engineered resin enclosure is robust yet lightweight; allows broad operating temperatures and provides exceptional chemical, UV and impact resistance.
- Aluminium enclosures with ultra-low copper content (0.2% maximum) ensure robust performance in corrosive environments.
- Robust stainless steel enclosure option.
- IP rated plugs certified where applicable.

AccuTrak™ Rotary Position Monitors

Increased Safety/Encapsulation – ATEX/IEC

3400 Series resin enclosure dimensions



Dimensions in mm, where available imperial dimension (inches) in parentheses

Technical specifications

Materials of construction

Enclosure	Engineered resin
Shaft and hardware	Stainless steel
Bushing	Nylon
Beacon visual indicator	Co-polyester

Drive shaft

Standard	Double-D with 1/4" A/F
Option	NAMUR standard VDI/VDE 3845

Available switches

Magnum, SPDT (hermetically sealed proximity type) switches

Please consult your sales office for any other requirements

Notes

Conduit entries

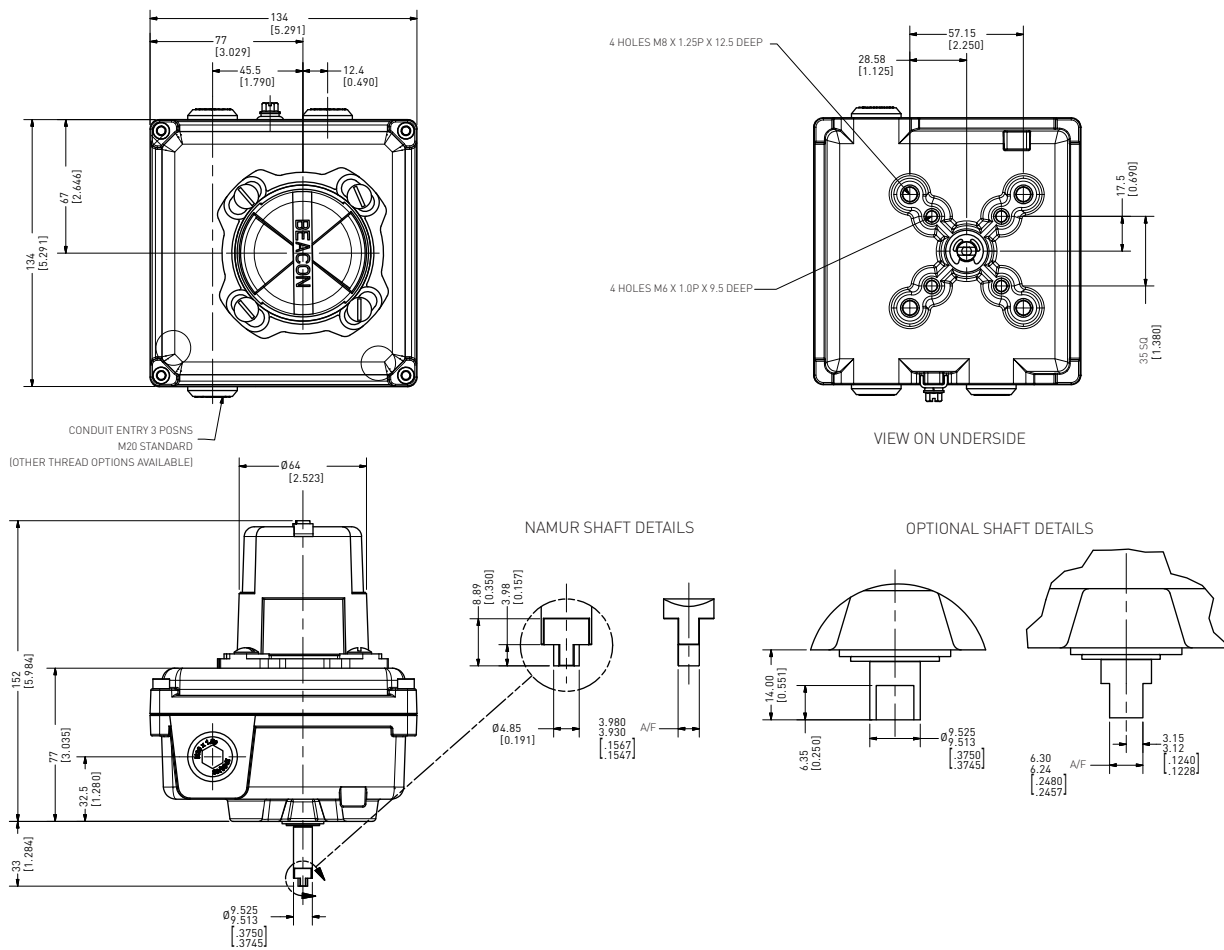
AccuTrak position monitors are available with a choice of conduit entries. Please see the selection guide for standard entries.

Switches and sensors

For further information see our switches and sensors data sheet.



3400 Series aluminium & stainless steel enclosure dimensions



Dimensions in mm, where available imperial dimension (inches) in parentheses

Technical specifications

Materials of construction

Enclosure	Aluminium with powder coat finish Stainless steel with electropolished finish
Shaft and hardware	Stainless steel
Bushing	Oil impregnated bronze (aluminium enclosure) PTFE (stainless steel enclosure)
Beacon visual indicator	Co-polyester
Drive shaft	
Standard	Double-D with ¼" A/F
Option	NAMUR standard VDI/VDE 3845
Available switches	
	Magnum, SPDT (hermetically sealed proximity type) switches

Please consult your sales office for any other requirements

Notes

Conduit entries

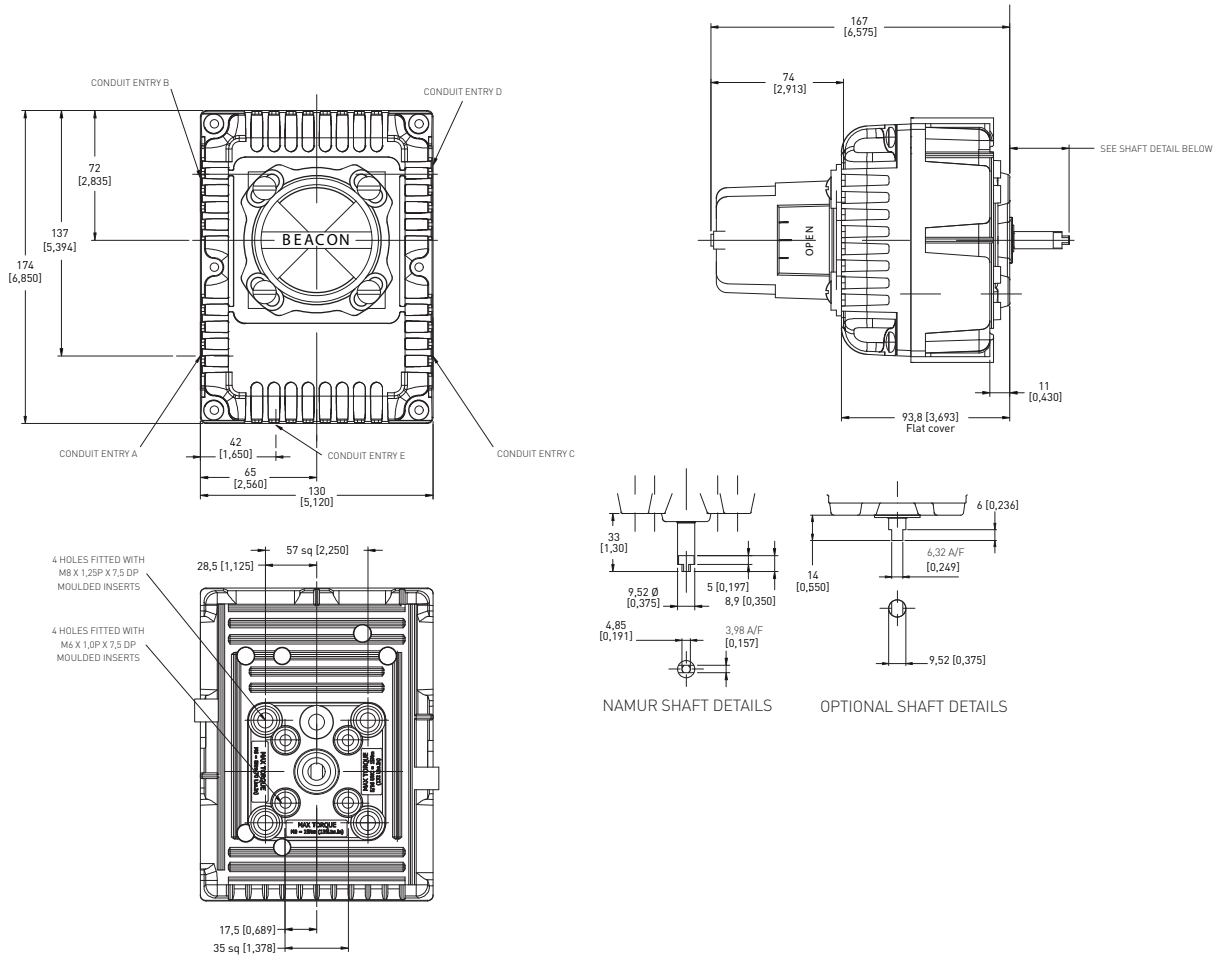
AccuTrak position monitors are available with a choice of conduit entries. Please see the selection guide for standard entries.

Switches and sensors

For further information see our switches and sensors data sheet.



8400 Series resin enclosure dimensions



Dimensions in mm, where available imperial dimension (inches) in parentheses

Technical specifications

Materials of construction

Enclosure	Engineered resin
Shaft and hardware	Stainless steel
Bushing	Nylon
Beacon visual indicator	Co-polyester

Drive shaft

Standard	Double-D with 1/4" A/F
Option	NAMUR standard VDI/VDE 3845

Available switches

	Magnum, SPDT (hermetically sealed proximity type) switches
--	--

Please consult your sales office for any other requirements

Notes

Conduit entries

AccuTrak position monitors are available with a choice of conduit entries. Please see the selection guide for standard entries.

Switches and sensors

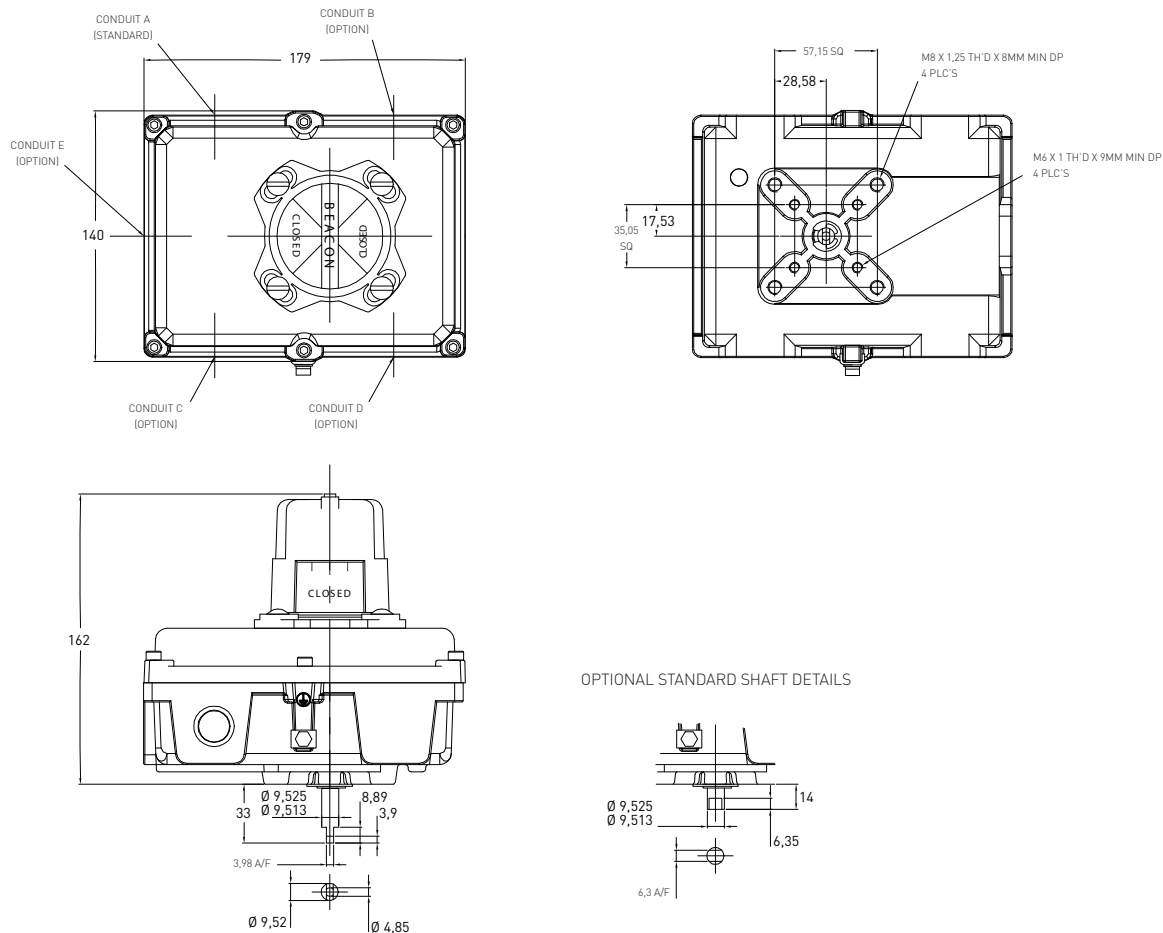
For further information see our switches and sensors data sheet.



AccuTrak™ Rotary Position Monitors

Increased Safety/Encapsulation – ATEX/IEC

8400 Series aluminium & stainless steel enclosure dimensions



Dimensions in mm, where available imperial dimension (inches) in parentheses

Technical specifications

Materials of construction

Enclosure	Aluminium with powder coat finish Stainless steel with electropolished finish
Shaft and hardware	Stainless steel
Bushing	Oil impregnated bronze (aluminium enclosure) PTFE (stainless steel enclosure)
Beacon visual indicator	Co-polyester

Drive shaft

Standard	Double-D with 1/4" A/F
Option	NAMUR standard VDI/VDE 3845

Available switches

Magnum, SPDT (hermetically sealed proximity type) switches

Please consult your sales office for any other requirements

Notes

Conduit entries

AccuTrak position monitors are available with a choice of conduit entries. Please see the selection guide for standard entries.

Switches and sensors

For further information see our switches and sensors data sheet.

AccuTrak™ Encapsulated Rotary Position Monitors

Models 3400 and 8400 Selection Guide

Housing												
34	3400 with flanged lid											
84	8400 with flanged lid											
Cover style												
4	With Beacon											
6	Flat cover											
Switch type												
9	Magnum XT90 proximity switch											
0	No switches fitted											
Material												
A	Aluminium											
R	Engineered resin											
S	Stainless steel											
Beacon type and colour												
BY	Black/Yellow					B1	BM3-1 pattern 90°					
LY	Black/Yellow low profile					B3	BM3-3 pattern 90°					
AR	ANSI Red/White					B5	BM3-5 pattern 90°					
GR	Green/Red					B7	BM3-7 pattern 180°					
00	No Beacon fitted					B9	BM3-9 pattern 180°					
Drive shaft type												
S	Westlock standard – ¼" A/F (6.32 mm)											
N	NAMUR standard shaft – VDI/VDE 3845											
*	Non-standard material and build (consult sales office)											
Ancillary options												
000	No ancillary options											
***	Non-standard material and build (consult sales office)											
Switch/sensor quantity												
0	No switch/sensor fitted											
1	One switch/sensor											
2	Two switches/sensors											
3	Three switches/sensors (consult sales office)											
4	Four switches/sensors (consult sales office)											
Conduit entries supplied												
2	Two entries – standard all enclosures											
3	Three entries (consult sales office for 3400 series)											
4	Four entries (8400 series only)											
5	Five entries (consult sales office for 8400 series only)											
Unit specification												
AAA	Standard build- 1 x M20 & 1 x M25 conduit entries											
ADZ	¾" NPT conduit entries											
DAV	M25 conduit entries											
FAN	½" NPT conduit entries											
LAY	M20 conduit entries											
***	Non-standard material (consult sales office)											
Certification												
A	ATEX											
I	IECEX											
*	Other options (consult sales office)											
Revision												
R*	Internal revision #											
34	4	9	A	BY	N	000	2	2	AAA	A	R1	= Model number 3449ABYN00022AAA-AR1

Notes

Specifying your position monitor
 Specifying a position monitor is a complex process as there are many variables which affect each individual application. To ensure that you receive the best possible combination for your monitoring requirement, please contact your local sales office for advice and guidance from one of our experts.

Hazardous area classification
 Please see our data sheet for further information on the global standards affecting the specification and installation of equipment in hazardous areas.

<p>US/Canada: Saddle Brook, NJ Ph: +1 201 794 7650 Fax: +1 201 794 0913 E-mail: westlockinfo@westlockcontrols.com</p>	<p>South America: Sao Paulo, Brazil Ph: +55 11 2588 1400 Fax: +55 11 2588 1410 E-mail: comercial@westlock.com.br</p>	<p>Europe: Kent, England Ph: +44 1892 516277 Fax: +44 1892 707620 E-mail: sales@westlockuk.com</p>	<p>Asia: Singapore Ph: +65 6768 5850 E-mail: sales@westlockuk.com</p>
--	---	--	--