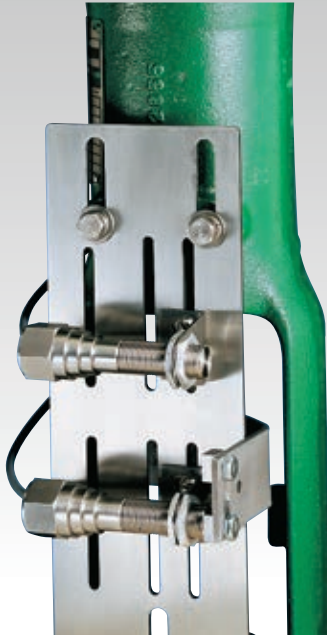


A Magnum hermetically-sealed proximity switch in a stainless steel enclosure which is certified explosionproof. Double encapsulated in an epoxy resin and shock absorbent polymer.



Features

- Available with SPDT or DPDT switches.
- Standard 6 m lead allows remote mounting if required.
- Cable marked as appliance wiring material UL758.
- Rhodium contact option for use with low power I/O's for longer contact life.
- Highly resistant to shock and vibration stresses, chemical and environmental exposure.

Technical data

Agency approvals

Area classification (ATEX/IEC)	Ex II 2 GD Ex d IIC T* Gb Ex tb IIIC T* D6 IP6X
Enclosure standards (IEC)	IP66/67 (with suitable glanding) IPx8 (with suitable glanding)

Switches

Magnum, SPDT hermetically sealed switches
Magnum, DPDT hermetically sealed switches

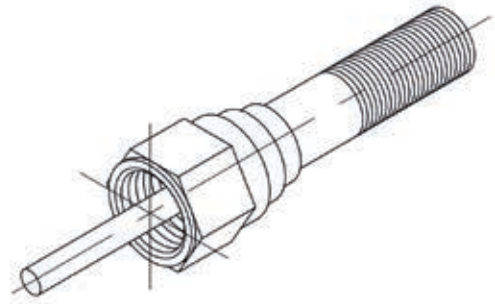
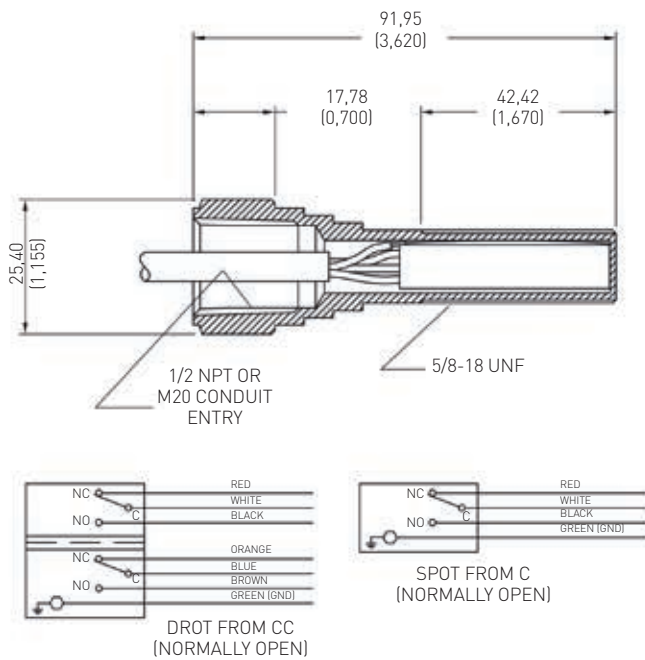
Enclosure

Stainless steel

AccuTrak™ 316 Silver Bullet

Explosionproof Linear Position Sensor - ATEX/IEC

Dimensions



Dimensions in metric, imperial dimensions (inches) in parenthesis

Maintenance

All Silver Bullets are bolted to heavy duty stainless steel brackets. Sensor triggering is accomplished by stainless steel encapsulated ferromagnetic actuators. Eventually, as valve seats wear, a slight re-adjustment of position sensors becomes necessary.

Technical specifications

Enclosure	316 stainless steel
Temp. range	-40°C to +104°C (-40°F to +220°F)
Operating time	3.0 ms
Repeatability	0.13 mm (0.005 inch)
Hysteresis	0.76 mm (0.030 inch)
Hermetic seal	Glass (vacuum)
Sensing	2.54 mm (0.100 inch) end sensing
Electrical rating	
Tungsten	SPDT Form C (normally open)
	3 A / 120 V AC
	1.5 A / 240 V AC
Rhodium	2 A / 24 V DC
	SPDT Form C (normally open)
Rhodium	1 A / 24 V DC
	0.20 A / 120 V AC
Cable	
Wire diameter	18AWG
Jacket diameter SPDT switch	6.1 mm +/- 0.25 mm (0.239 inch +/- 0.010 inch)
Jacket diameter DPDT switch	9.1 mm +/- 0.25 mm (0.360 inch +/- 0.010 inch)
Appliance wiring material	UL758

Notes

Hazardous area classification

Please see our data sheet for further information on the global standards affecting the specification and installation of equipment in hazardous areas.

Base model	
316SB	Silver Bullet position sensor
Switch design	
S	Single Pole Double Throw
D	Double Pole Double Throw
Contact material	
T	Tungsten
R	Rhodium
Conduit	
M	M20 x 1.5 - Approved to ATEX & IECEX
N	1/2" -14 NPT - Approved to ATEX, IECEX & c UL us
Length of Flying Lead	
XXX	Flying Lead Length in metres
020	6.00 metres
Special Feature	
AAA	Standard
XXX	Special variants

Example Code: 316SB-STM-020-AAA = 316 Silver Bullet, SPDT, Tungsten contacts, M20 conduit, 6 m flying lead & standard build.

US/Canada: Saddle Brook, NJ

Ph: +1 201 794 7650
 Fax: +1 201 794 0913
 E-mail: westlockinfo@westlockcontrols.com

South America: Sao Paulo, Brazil

Ph: +55 11 2588 1400
 Fax: +55 11 2588 1410
 E-mail: comercial@westlock.com.br

Europe: Kent, England

Ph: +44 1892 516277
 Fax: +44 1892 707620
 E-mail: sales@westlockuk.com

Asia: Singapore

Ph: +65 6768 5850
 E-mail: sales@westlockuk.com