

Digital EPIC Position Transmitters

Explosionproof/Flameproof - ATEX/IEC

WESTLOCK
CONTROLS

Position Transmitters that provide discrete position control and precision, non-contact position feedback with digital communication via HART® protocol for linear or rotary control valves in a simple, integrated package.



Technical Data

Agency approvals

Area classification ((ATEX/IEC))

D410/D420	Ex d IIB+H2 AEx d IIB+H2 Ex nA IIC AEx nA IIC
-----------	--

Enclosure standards (IEC) IP67

Enclosure Aluminum with powder coat finish

Technical specifications

Conduit entries	M20 M25 1/2" NPT 3/4" NPT
Output	4 - 20 mA proportional to valve position
Terminal voltage required	10 to 30 V
Linearity*	± 1.0% F.S.
Span adjustment	60° to 120°
Zero adjustment	30% of calibration span
Resolution	≤ 0.05% F.S.
Hysteresis	Negligible
Standard operating temperature range**	-40°F to +185°F
Temperature effect	≤ 0.01% F.S./°C
Humidity	10% to 90% non-condensing
Voltage effect	≤ 0.2% F.S. from 10 V DC to 30 V DC
Reverse polarity	Protected
Mounting attitude	Any position
Startup stabilization	0.5 seconds
Output update rate	25 ms

Features

- Microprocessor based technology allows digital communication via HART® protocol.
- EPIC D410 features remote and local partial stroke test (PST) and emergency shut down (ESD) initiated remotely via HART® signal or locally at the device for safety system applications.
- 'Non-intrusive' magnetic calibration input sensors on outside of the EPIC D410 enclosure allow calibration without removing the cover, maintaining safety in a potentially explosive environment.
- Valve position measurement via a non-contact magnetic pick-up eliminates mechanical drive arms or linkages increasing reliability in high cycle applications or where vibration is present.
- Highly visible position indicator.
- Additional site glass on EPIC D410 gives view to the product's LCD display.
- Extra conduit entries and internal terminal points are provided for mounting and backwiring of a solenoid valve.
- Low copper content aluminum enclosure with polyurethane enamel coating assures both strength and corrosion resistance

Notes

* Linearity is applicable for rotary and linear with stroke 2" and under.

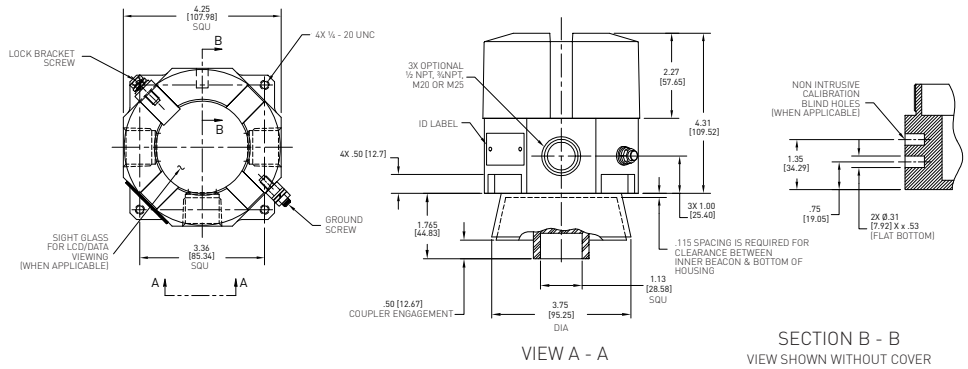
** Engineered resin enclosures -10°F to +185°F for hazardous area use. Standard Falcon valve operating temperature range -4°F to +185°F, with optional -40°F to +185°F.

Digital EPIC Position Transmitters

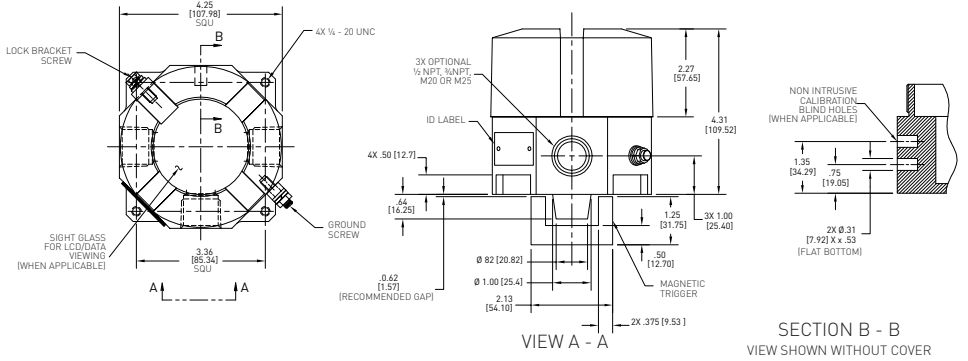
Explosionproof/Flameproof - ATEX/IEC

Dimensions Models D410/D420

Rotary



Linear



Dimensions in inches, where available metric dimension (mm) in parentheses.

Selection Guide

Base model	
D410	Transmitter with XP site glass, ESD/PST capability & non-intrusive calibration
D420	Mod 3 aluminium
Application type	
LV	Linear transmitter (specify stroke length, fail up or fail down)
LR	Linear transmitter with remote mount (specify stroke length, fail up or fail down)
RO	Rotary transmitter
RR	Rotary transmitter with remote mount
Certification	
A	ATEX certified
I	IECEx certified
Conduit options	
1	Three 1/2" NPT
2	Three M20
3	Three 3/4" NPT
6	Three M25
Solenoid	
00000	Not applicable
ESD/PST options	
0	None (required choice for D420)
1	ESD/PST
Beacon options	
0	None
1	Black/yellow Beacon indicator
0 = Model number D420-RO-A-2-000000-0	

Notes

Specifying your position transmitter
Specifying a position transmitter is a complex process as there are many variables that affect each individual application. To ensure that you receive the best possible combination for your control and monitoring requirement, please contact your local sales office for advice and guidance from one of our experts.

Hazardous area classification
Please see our data sheet for further information on the global standards affecting the specification and installation of equipment in hazardous areas.

US/Canada: Saddle Brook, NJ

Ph: +1 201 794 7650

Fax: +1 201 794 0913

E-mail: westlockinfo@westlockcontrols.com

South America: Sao Paulo, Brazil

Ph: +55 11 2588 1400

Fax: +55 11 2588 1410

E-mail: comercial@westlock.com.br

Europe: Kent, England

Ph: +44 1892 516277

Fax: +44 1892 707620

E-mail: sales@westlockuk.com

Asia: Singapore

Ph: +65 6768 5850

E-mail: sales@westlock.com