



The art of power and perfection

PNEUMATIC ACTUATORS

ACT-130

PDS-AC-130 Rev. 5



Manufacturing program:

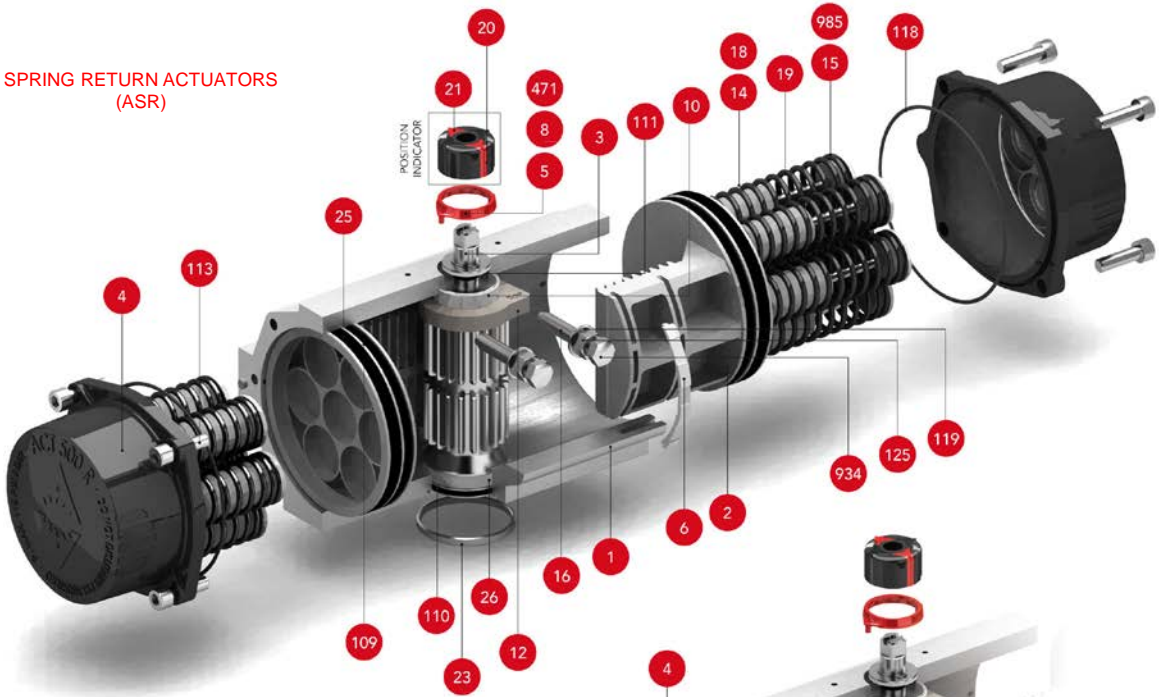
Ex II 2 G D c – LCIE 05 AR 022

Quality & Environmental Management:



TECHNICAL FEATURES

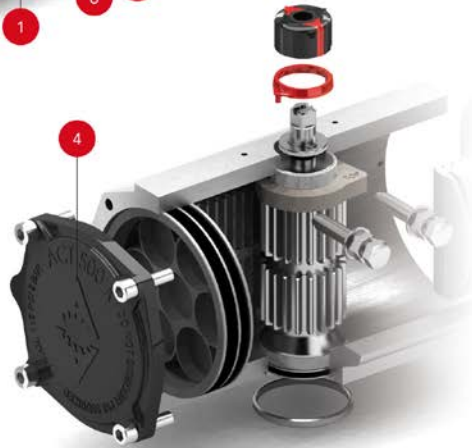
SPRING RETURN ACTUATORS (ASR)



POSITION INDICATOR



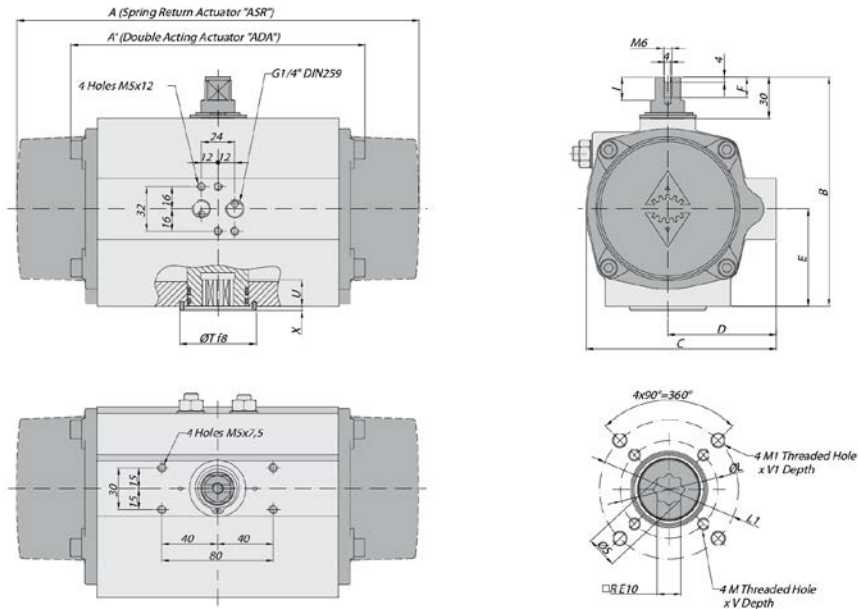
DOUBLE ACTING ACTUATORS (ADA)



PARTS & MATERIALS

Item	Description	Material	Item	Description	Material
1	Body	Aluminium Hard Anodized	23	Centering Ring	Nickel Plated Carbon Steel
2	Piston	Aluminium	24	Plug Air Stop	NBR
3	Pinion	Nickel Plated Carbon Steel	25	Slide Guide	Polyamide PA 6.6 + 30% G.F.
4	End Caps	Aluminium Epoxy Coated	26	Lower Pinion Bearing	Hostalen RCH 1000
5	Soft Pinion Washer	Polyamide PA 6.6	109	O-Ring	NBR
6	Slide piston	Polyamide PA 6.6 + 30% G.F.	110	O-Ring	NBR
8	Pinion Washer	Stainless Steel	111	O-Ring	NBR
10	Upper Pinion Bearing	Hostalen RCH 1000	113	Bolt	Stainless Steel
12	Stop	ASTM A-105	118	O-Ring	NBR
14	(*) Spring's Long Support	Polyamide PA 6.6	119	O-Ring	NBR
15	(*) Spring's short Support	Polyamide PA 6.6	125	Washer	Stainless Steel
16	Levelling Screw	Stainless Steel	913	Set Screw	Stainless Steel
18	(*) Bolt	Stainless Steel	471	External Circlip	Stainless Steel
19	(*) Spring	DIN 2076 -D-5.6	934	Nut	Stainless Steel
20	Position Indicator	Polyamide	985	(*) Nut	Stainless Steel
21	Cam	Polyamide			

(*) Only for serie ASR.



DIMENSIONS

A	A'	B	C	D	E	F	I	R	ØS	ISO 5211	ØL	M x V	ISO 5211	ØL1	M1 x V1	ØT	X	U
258	196	147	122	71	60	12	12,5	17	22,5	F05	50	M6x10	F07	70	M8x16	55	3	22

(*) Dimensions in mm.

GENERAL CHARACTERISTICS

DESIGN STANDARDS	Serie ADA	Actuator	Double Acting
	Serie ASR	Actuator	Spring Return
Mounting of solenoid valves	NAMUR Std.		
Mounting of devices	NAMUR VDI		
Coupling according	ISO 5211		
Marking	Ex II 2 G D c LCIE 05 AR 022		
		DIN 3337	
		According to EN 15714-3	
TESTS AND CERTIFICATES			
Quality assurance	ISO 9001		
		Safety Integral level 3 (SIL3)	

Max. Pressure	Rotation	Screw stroke Adjustment	Chamber Ø (mm)	Air Volume (L)		Stroke Time Sec. (A)		Operating Temperature (°C)				
				Opening	Closing	Opening	Closing	STD (standard)	HT (high temp.)	LT (low temp.)		
8 bar	90° ±5°	For 1° Need ¼ Turn	90,5	0,77	0,76	D	0,15	D	0,15	NBR "O" Ring	FPM "O" Ring	Silicone "O" Ring
						S	0,32	S	0,5	-30° to +100°	-15° to +150°	-40° to +80°

DOUBLE ACTING ACTUATOR "ADA" TORQUE OUTPUT IN Nm

TYPE Pressure	Output Torque For Double Acting in Nm														Weight (Kg)								
	3 bar		3,5 bar		4 bar		4,5 bar		5 bar		5,5 bar		6 bar (A)			6,5 bar		7 bar		8 bar			
D	0°	90°	0°	90°	0°	90°	0°	90°	0°	90°	0°	90°	0°	90°	0°	90°	0°	90°	0°	90°	157	3,8	
	59,1		68,9		78,7		88,6		98,4		108,3		118		128		138		157				

SPRING RETURN ACTUATOR "ASR" TORQUE OUTPUT IN Nm

TYPE Pressure	Output Torque for Spring Return in Nm														Spring stroke		Weight (Kg)						
	3 bar		3,5 bar		4 bar		4,5 bar		5 bar		5,5 bar		6 bar (A)		6,5 bar			7 bar		8 bar			
S06	0°	90°	0°	90°	0°	90°	0°	90°	0°	90°	0°	90°	0°	90°	0°	90°	0°	90°	0°	90°	END	STAR	4,4
S08	43	36	52	46	62	56	72	65	82	75	92	85	102	95	111	105	121	115	141	134	19	27	4,4
S08			47	38	57	48	67	58	76	68	86	77	96	87	106	97	116	107	135	127	26	36	4,5
S10					51	40	61	50	71	60	81	70	91	80	100	89	110	99	130	119	32	45	4,6
S12							56	42	65	52	75	62	85	72	95	82	105	92	124	111	39	54	4,7
S14 (A)											70	54	80	64	89	74	99	84	119	103	45	64	4,8

(A) Standard construction.



ACTREG, S.A. (Headquarters)

C/ Cantabria, 2
Polígono Industrial Les Salines
08830 Sant Boi del Llobregat
Barcelona (Spain)
Phone +34 93 661 44 10
Fax +34 93 654 33 93

actreg@actreg.com

ACTREG do Brasil, Sorocaba (SP)

Avenida Liberdade, 4565
Bairro Iporanga - Sorocaba - SP
CEP 18.087-170
Sao Paulo, Brasil
Phone: 0055 (0) 15 3228 1010
Fax: 055 (0) 15 3235 9511

actreg@actregdobrasil.com.br

ACTREG Shanghai Actuator Co. Ltd.

No.658, Block A, Qiang Ye Road
SheShan Industrial Zone
SongJiang District, Shanghai
P.R.C. 201602

Phone: 0086 21 57796818
Fax: 0086 21 57792426

sale@actreg.net.cn

ACTREG UK, LTD

Units 2 & 3 Henson Close
Telford Way Industrial Estate
Kettering Northants NN 16 8PZ
United Kingdom

Phone: 0044 1536412525
Fax: 0044 1536521616

sales@actreg.co.uk

ACTREG North America

20201 Clark Graham
Baie D'Urfè, Québec
H9X 3T5 Canada

Phone: 001 514 457 5777
Fax: 001 514 457 1348

Toll Free: 1 800 667 4819
jr@trueline.ca

For further information visit our website

www.actreg.com